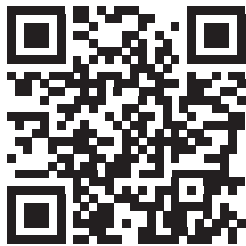
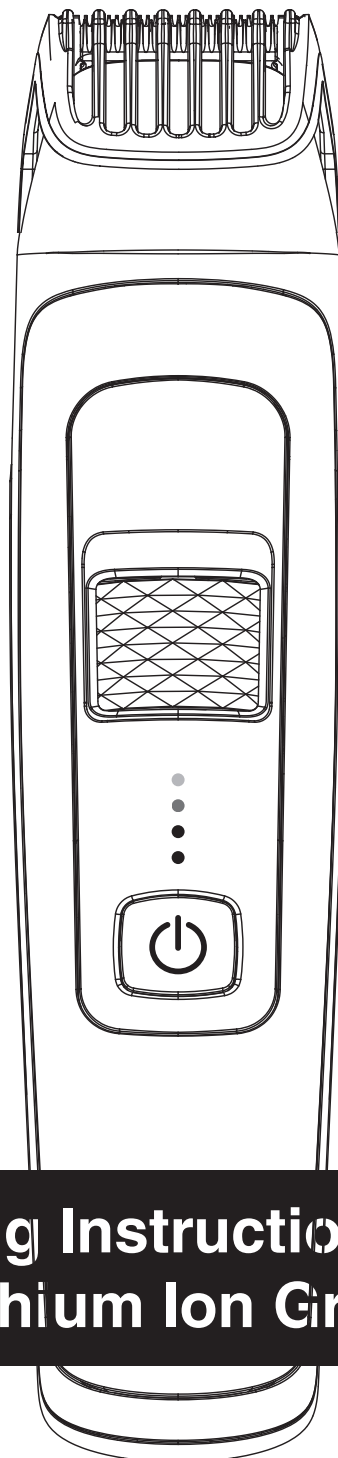




MANSCAPER[®]

Detachable Blade Trimmer

1065



Scan for Trimming 101

**Operating Instructions for the
Wet/Dry Lithium Ion Grooming Kits**

art no: 3026402

CARING FOR YOUR TRIMMER

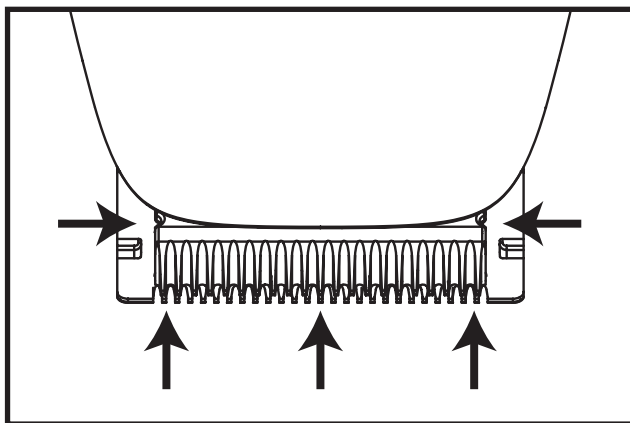
OILING BLADES

For best results, use Wahl Clipper Oil on the blades only when necessary, or approximately once a month. Motor bearings are permanently lubricated—do not attempt to oil.

When oiling your trimmer, turn the trimmer “ON - I,” hold the unit with the blades facing DOWN and squeeze three drops across the front of the blade and one drop on each side on the heel of the blade. Wipe off excess oil with soft cloth.

NOTICE—DO NOT OVER OIL!

Excessive oiling or application of liquids will cause damage if allowed to seep back into motor.



BLADE CARE

Trimmer blades have precision-hardened, ground and lapped cutting teeth. Blades should be handled carefully and never bumped or used to cut dirty or abrasive material. Clean with the included brush.

CLEANING/STORAGE

Before storing your trimmer, use the cleaning brush to whisk any loose hairs from the unit and the blades. Store unit in such a manner so that blades are protected from damage.

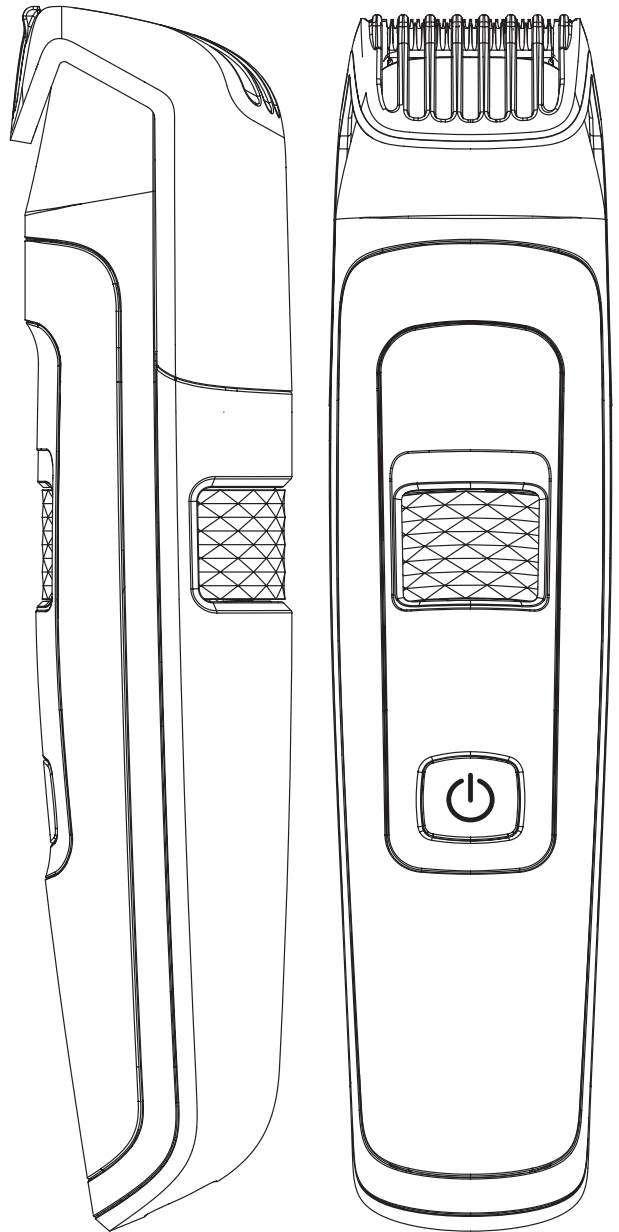
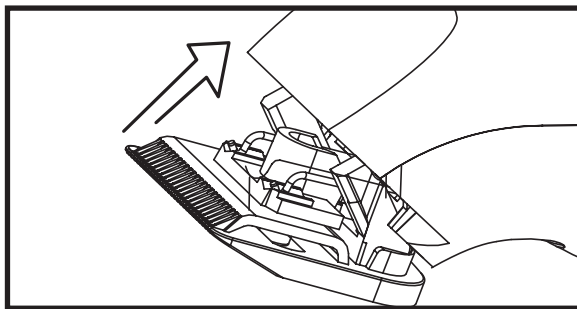
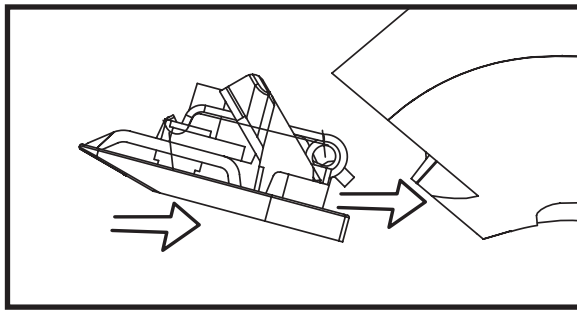
When the trimmer is not in use, the trimmer blade guard attachment should be in place to protect the blades.

SPECIAL FEATURES:

Your trimmer has been designed with several advanced features to help you get perfect results every time you trim. Your trimmer may be used to neatly trim anywhere you may need grooming.

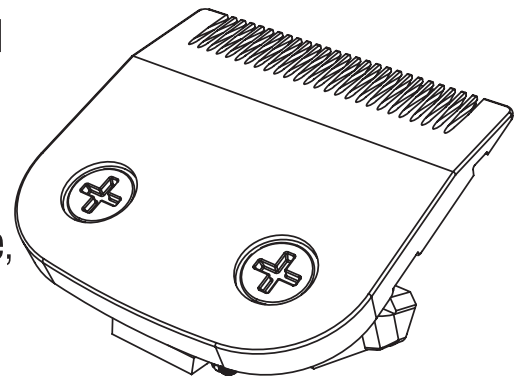
- **A Detachable Blade System** enables you to quickly change from a standard-width blade for full grooming to a narrow-width blade for detail trimming.

To remove attachment, simply pull top edge of blade away from body unit. To attach, align back tab of attachment head to cavity on the inner edge of trimmer unit and push down on top of blade.



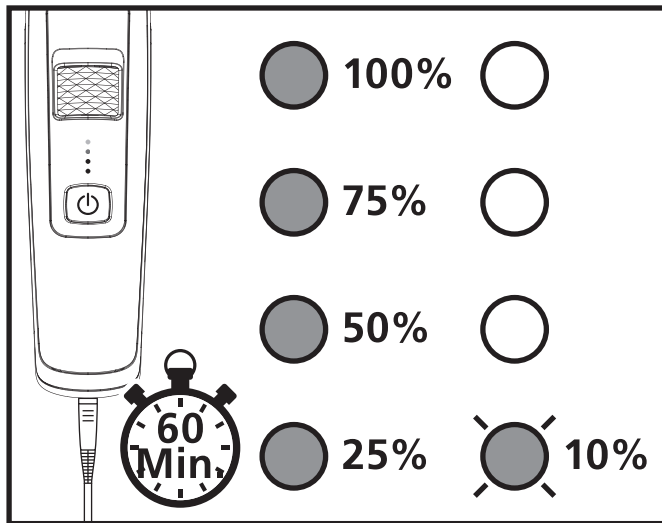
- **Self-Sharpening Blades** are made to maintain their shape and sharpness for extended periods.

- **Wrap-Around Safety Guard** makes achieving a consistent trim easy every time. The guide has 19 cutting lengths, and can be removed (providing an 20th cutting position). To attach the guide, simply slide it on. Adjust the trimming length by turning the dial left or right to the desired setting.

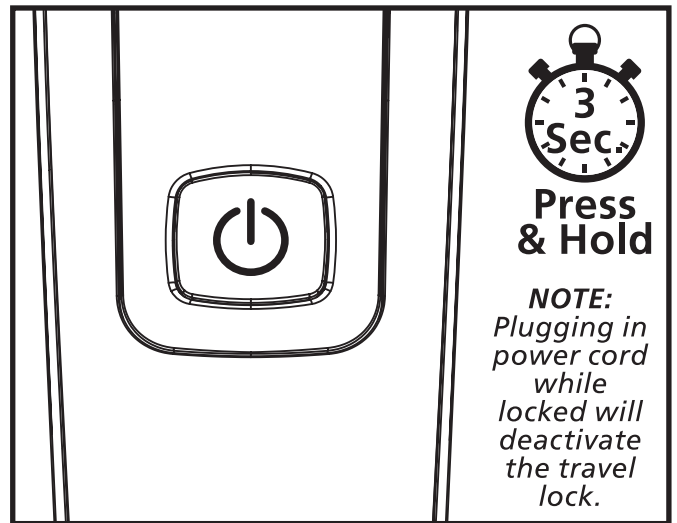


Wahl Manscaper® Trimmer Quickstart Guide

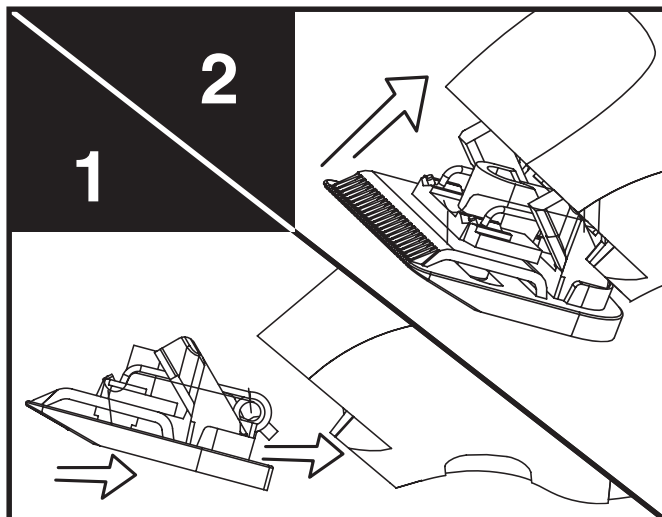
1. Charge Unit



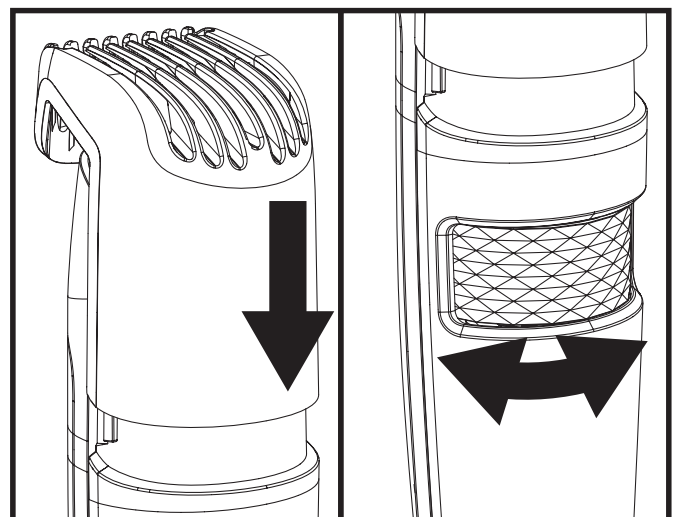
2. Disable/Enable Travel Lock



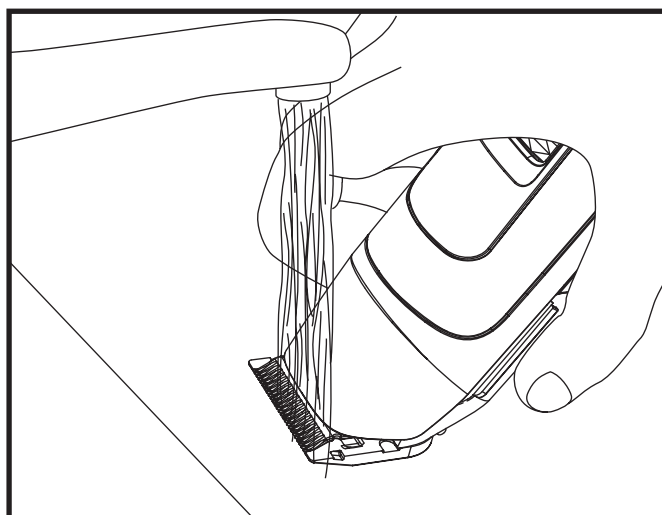
3. Attach Desired Grooming Head



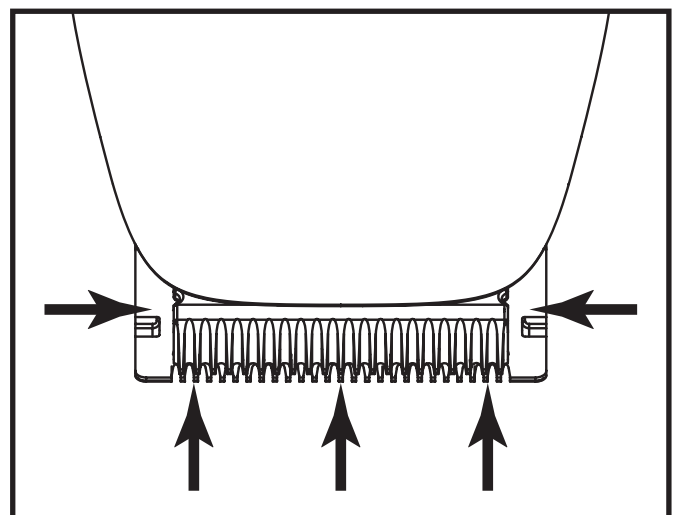
4. Attach & Adjust Guide Comb



5. Rinse Trimmer



6. Oil Blades



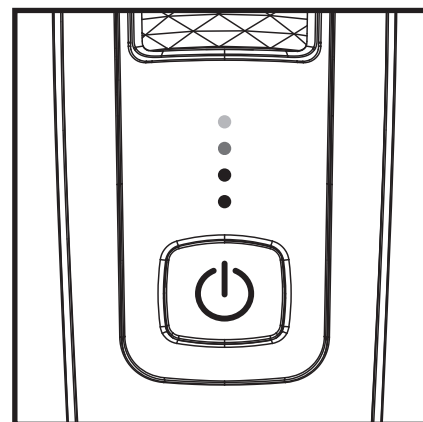
RECHARGING

☑The trimmer cannot be overcharged, so you may charge it as often as desired. However, periodic recharging of the trimmer, rather than continuous recharging, will prolong battery life.

All 4 LEDs light up when the unit is powered on and fully charged. These LED's are also battery level indicators and gradually turn off based off the charge level.

The bottom LED lights up when there is a low battery (less than 25% power). If lower than 10% battery life, the bottom LED flashes.

When charging the unit, the LEDs light up to show the charge level. All 4 LEDs will be lit when the unit is fully charged.



Charging with USB may increase charge time by double. But don't worry, runtime is not impacted.

TRAVEL LOCK

The Wahl Manscaper® trimmer comes with an electronic travel lock to avoid accidental activation while transporting.

Hold power button down for 3 seconds to engage travel lock. Trimmer will turn on for those 3 seconds, and turn off once the travel lock is engaged.

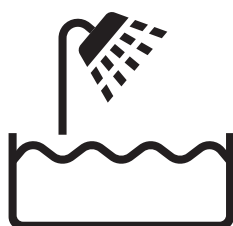
Hold power button down for 3 seconds to disengage travel lock. Trimmer will turn on once the travel lock is disengaged.

WET/DRY USE

The Wahl trimmer is designed to be water resistant and shower proof. This lets you use your Wahl trimmer in the shower or at the sink without worry and makes it easy to clean under running water.

NOTE: The trimmer is for wet/dry use. The trimmer will not run while the cord is attached for safety.

For best results use on damp or dry hair. Cutting hair while it is saturated with water is not good for the hair and is not recommended.

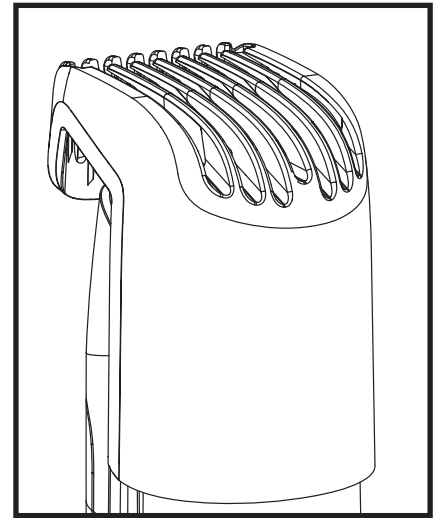


This symbol, located on the trimmer, represents that the shaver is suitable for use in the bath and shower.

TRIMMING WITH ATTACHMENT COMBS

These attachments are ideal for blending, tapering and defining, as well as for achieving a “close trim” stubble look. To use the attachments, go with the hair direction. To achieve closer looks, go against the hair direction.

To attach guide combs, hold comb with the teeth up. Snap guide comb attachment firmly to the bottom of the trimmer blade.



TRIMMING PRIVATES

Manscaping can be easy and fun, but also a little intimidating. It is certainly an area where you will want to take some extra time and care to get the results you want with no discomfort. Wahl's Manscaper® with its wrap-around safety guards will help keep your privates safe during the coming expedition, but you will still want to observe some caution to avoid any mishaps along the way.

Before you even begin, it's important to know what you want to have your “NetherScape” look like when you are done. Are you looking for an even trim all over, edging back excess hair that sticks out around your briefs, or planning to use one of the more whimsical stylings that can be found in an internet search? Once you have decided what you want the finished result to look like, follow the steps below to achieve your new look.

HOW TO MANSCAPE

1. **Clean is important.** Be sure your Manscaper® is clean and ready to perform the task with plenty of power available to do the job. Also, make sure your hair is clean and dry for best results.
2. Use a comb to gently remove any snarls or tangles from your pubic hair. Go slow at first until you get the hang of combing the NetherScape to avoid painful pulls and jabs. After your hair is clear of obstructing tangles, you are ready to start trimming.
3. Set the wrap-around guard dial to its longest position. You will set it to progressively shorter lengths as you work your hair into the style you want, but it's best to take off a little at a time.
4. Gently trim in the direction your hair naturally grows, and avoid cutting against the grain as much as possible.
5. Using your free hand, pull your skin taught as you get to shorter lengths to avoid folds of skin entering the trimmer blade. See illustrations for examples of what to do and what not to do.
6. Do the job, but don't over do it. To avoid irritating sensitive skin, you will want to make as few passes as possible as you get into the shorter lengths. Remember to go gently and take light strokes.
7. **TAKE YOUR TIME.** A fully charged Manscaper® will run for up to 100 minutes on a charge, so you have plenty of time to go slow and get the job done right.

PRO TIP: After you perform your trimming, make sure to clean up the mess. Nobody wants to walk into the bathroom and find that all over the floor.





WAHL CLIPPER CORPORATION
World Headquarters
P.O. Box 578. Sterling, IL 61081

Wahl (UK) Limited
Sterling House, Clipper Close
Ramsgate, Kent CT12 5GG

Wahl Hungária Kft
H-9200 Mosonmagyaróvár
Barátság u.6.
Hungary

Wahl International Consumer Group B.V.
Engelenburgstraat 36
7391 AM Twello,
The Netherlands

Wahl GmbH
Villinger Straße 4
78112 St.Georgen, Germany

Wahl Spain
Fernando Giner de los Ríos 12
46910 Sedaví
Valencia, Spain

WAHL France SAS
1c rue Foch
67450 Mundolsheim
France

WAHL Italias. r. l.
Via Gobetti 52 - 1° piano
4 0129 Bologna (BO)
Italia

Представительство в РФ и РБ:
ООО „УОЛЛ Рус“
Краснопролетарская д.16, стр. 1
этаж 6, пом. I, комната 5
127473 г. Москва | Russia (Россия)

Wahl India Grooming Products Pvt Ltd.
B-1002, 10TH Floor, B-Wing, Lotus Corporate Park, Off Jay
Coach Flyover,
Western Express Highway,
Goregaon-East, Mumbai 400-063

WAHL Clipper México Corporation. S. De R.L. de C.V
Armando Birlaing Shiffler 2001, 8-A, Centro Sur, 76090
Querétaro México

Wahl Canada Inc.
165 Riviera Drive
Markham, Ontario
L3R 5J6 Canada

Wahl Japan
日本ウォール株式会社
151-0053
東京都渋谷区代々木 1-32-11 8F

Wahl SE Asia Pte. Ltd.
51 Goldhill Plaza
#12-07 / 08/09/10
Singapore 308900

Wahl Australia PTY LTD
PO Box 456
Acacia Ridge Qld 4110,
Australia

Wahl NZ Limited
PO Box 38 323
Wellington Mail Centre
Lower Hutt 5045, New Zealand

Wahl Clipper Colombia SAS
Calle 140 #11-45 Oficina 518
Bogota Colombia 110111

WAHL CLIPPER BRASIL
Rua. Professor Luiz Leite, 150
Bairro Eldorado - São Jose dos Campos - SP
Cep: 12238-576

Wahl Argentina
Av. Alvarez Jonte 5655
Buenos Aires (C1407GPK), Argentina

WAHL MEA FZCO
Dubai Airport Free Zone
P.O Box 371395, Dubai UAE

Wahl Clipper (Pty) Ltd
PO Box 2916 Bedfordview,
Gauteng 2007 South Africa

www.wahl-consumer.com



© 2024
Wahl® is a registered trademark
of Wahl Clipper Corporation
Revised 01/24 V1