



Walker  
Edison

furniture company

Item #: BTOF

Assembly Instructions



*For our most current instructions, to request missing, lost or broken parts, or for any other Customer Service issues, please visit our website at [www.walkeredison.com](http://www.walkeredison.com) or call us at 877-207-5906.*

Revised 03/2012



# Instruction Manual

## ***IMPORTANT INFORMATION READ BEFORE ASSEMBLING THIS PRODUCT***

Follow the information on the warning labels found on the bunk bed and on the packaging. Do not remove the warning label from the bed.

Use only a mattress with the dimensions 74-75 in.L x 37.5-38.5 in.W x 9 in.H on the upper bunk.

The surface of the mattress must be at least 5 in. (127mm) below the upper edge of the guardrails. Mattress must not exceed the maximum thickness of 9 in.

Always use the recommended size of mattress or mattress support, or both, to help prevent the likelihood of entrapment or falls.

The use of a water or sleep flotation mattress is prohibited.

Replacement parts, including additional guardrails, may be obtained from any of Walker Edison Furniture Company's dealers or by contacting us online at [www.walkerredison.com](http://www.walkerredison.com).

DO NOT use substitute parts. Contact the manufacturer or dealer for replacement parts.

Always use guardrails on the upper bunk. If the bunk bed will be placed next to a wall, the guardrail running the full length of the bed should be placed against the wall to prevent entrapment between the bed and the wall.

Periodically check that the guardrails, ladders and other components of the bed are in their proper position, free from damage, and that all connectors are tight.

Always use the ladder to access the upper bunk.

DO NOT allow children under 6 years of age to use the upper bunk.

DO NOT allow horseplay on or under the bed. Prohibit jumping on the bed.

Prohibit more than one person on the upper bunk.

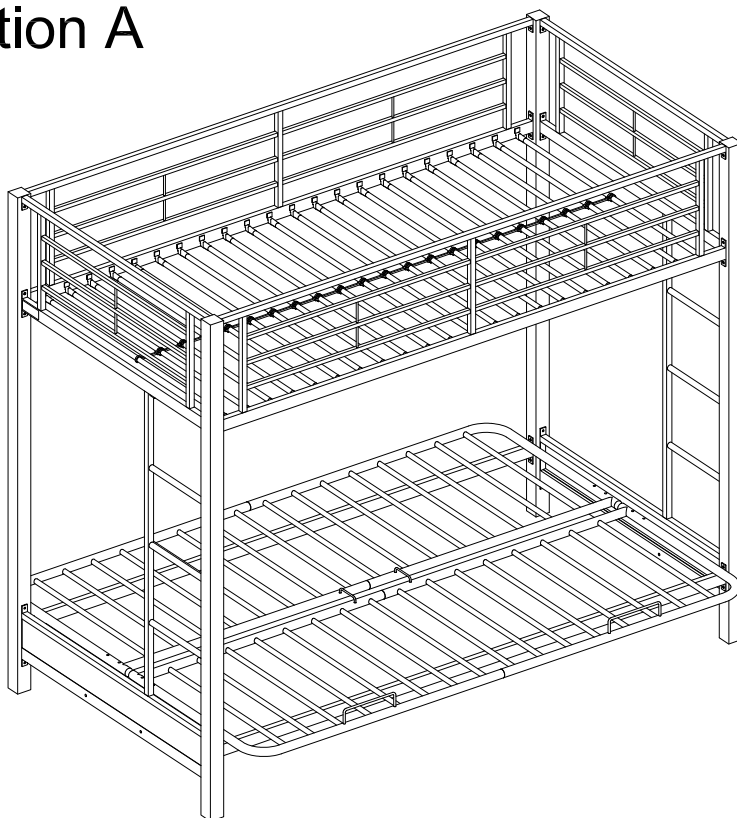
The use of a night light may provide an added safety precaution for a child using the upper bunk.

**STRANGULATION HAZARD** – Never attach or hang items to any part of the bunk bed that are not designed for use with the bed; including but not limited to hooks, belts and jump ropes.

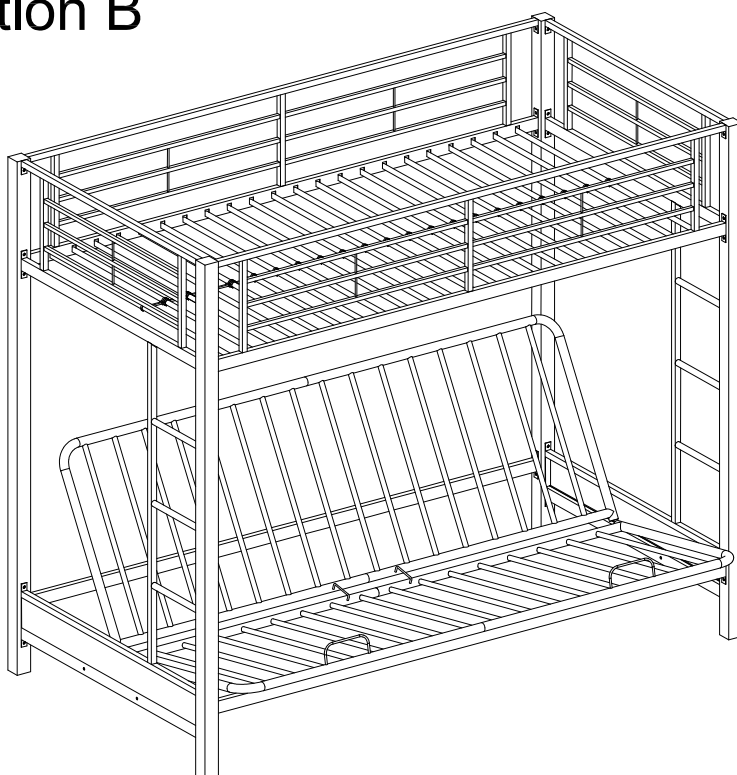
Keep these instructions for future reference.

## Two Assembly Options

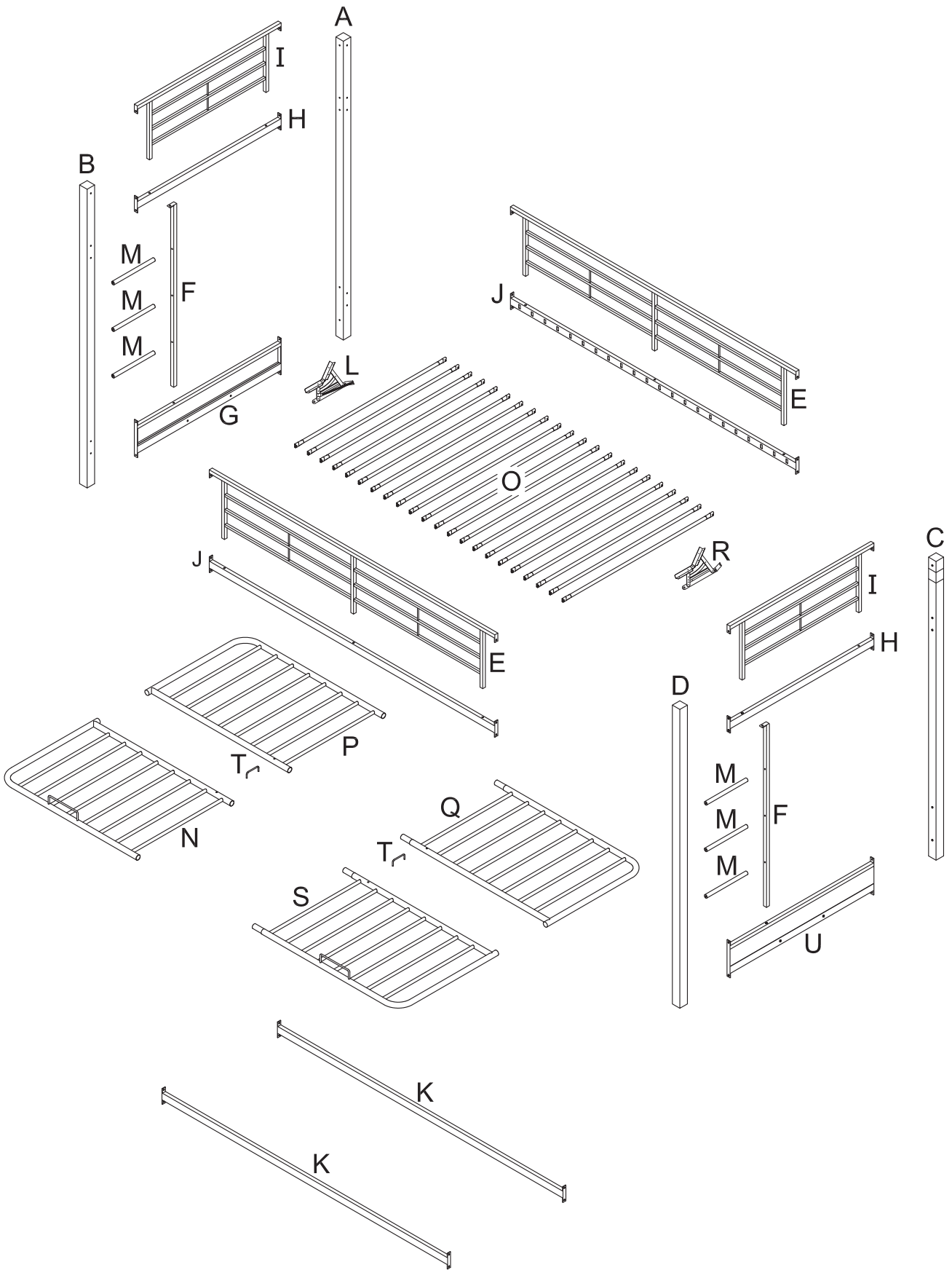
Option A







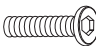


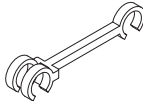
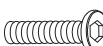

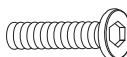


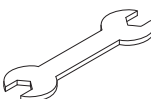
Option B



# Parts List

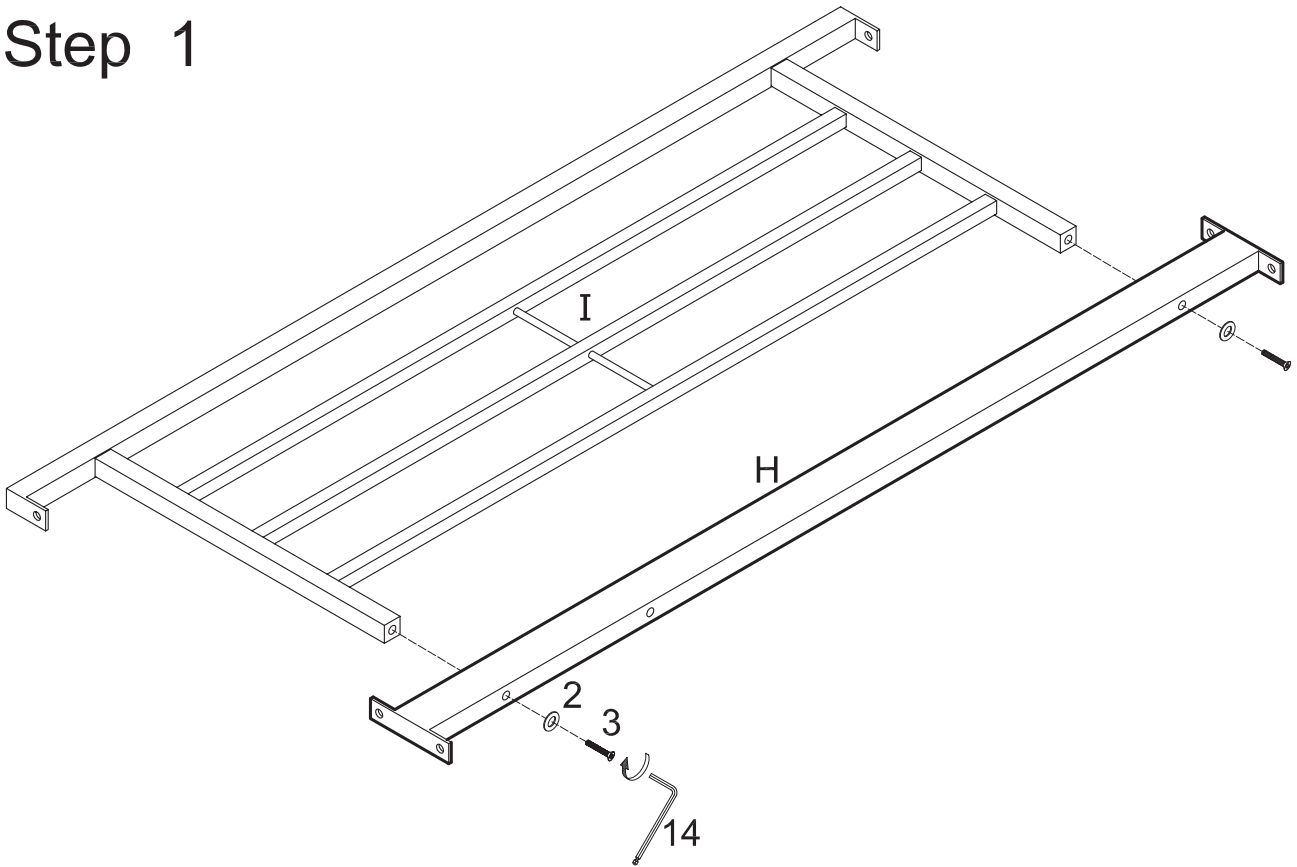


# Hardware List

1		Ø1/4"x5/8"	Extra-large bolt	50 pcs
2		Ø18	Large washer	34 pcs
3		Ø5/16"x2-1/4"	Extra-large bolt	10 pcs
4		Ø1/4"x1"	Double-headed bolt	6 pcs
5		Ø1/4"x1-3/8"	Small bolt	8 pcs
6			Foam pad	4 pcs
7		Ø16	Small washer	50 pcs
8		15x17	Plastic tab lock	44 pcs
9			Plastic link	21 pcs
10		Ø5/16"x1-1/4"	Medium bolt	4 pcs
11		Ø5/16"	Nut	12 pcs
12		Ø5/16"x1-3/4"	Large bolt	8 pcs
13		M4	Wrench	1 pc
14		M5	Wrench	1 pc
15		5/16"	Wrench	1 pc

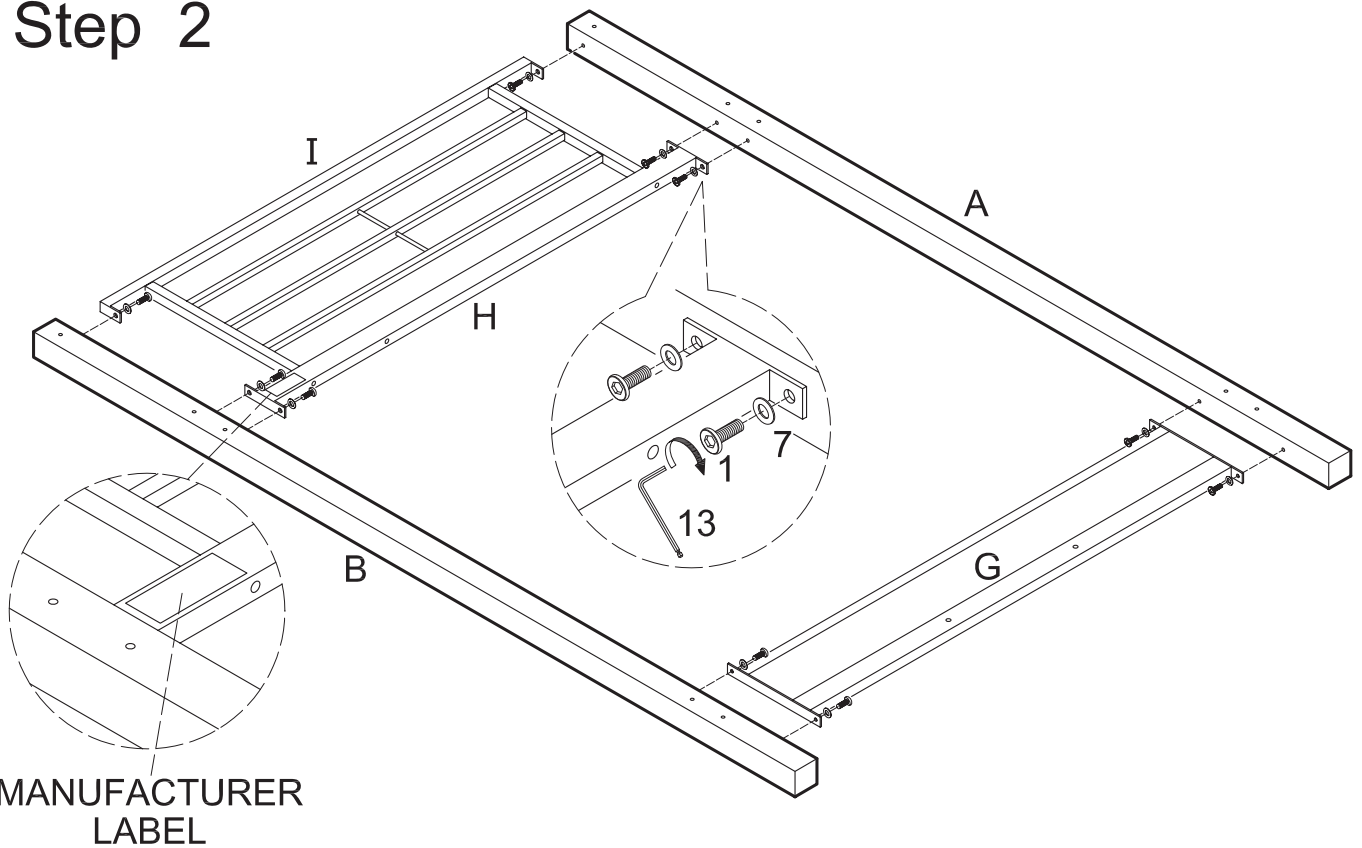
*The hardware quantities listed above are required for proper assembly.  
Some extra hardware may also have been included.*

# Step 1



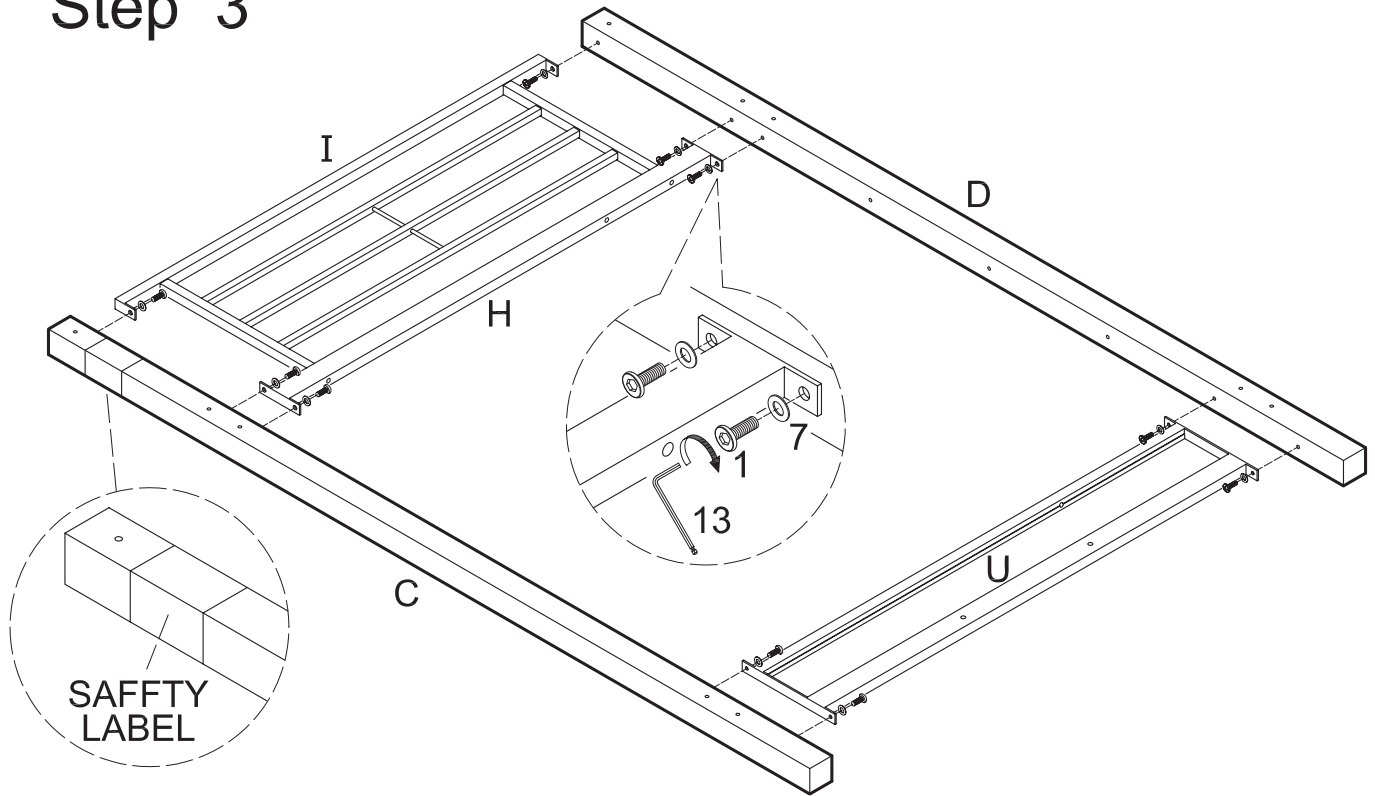
Attach crossbar (H) to guardrail (I) using extra-large bolts (3) with large washers (2). Repeat this step for second crossbar (H) and second guardrail (I).

# Step 2



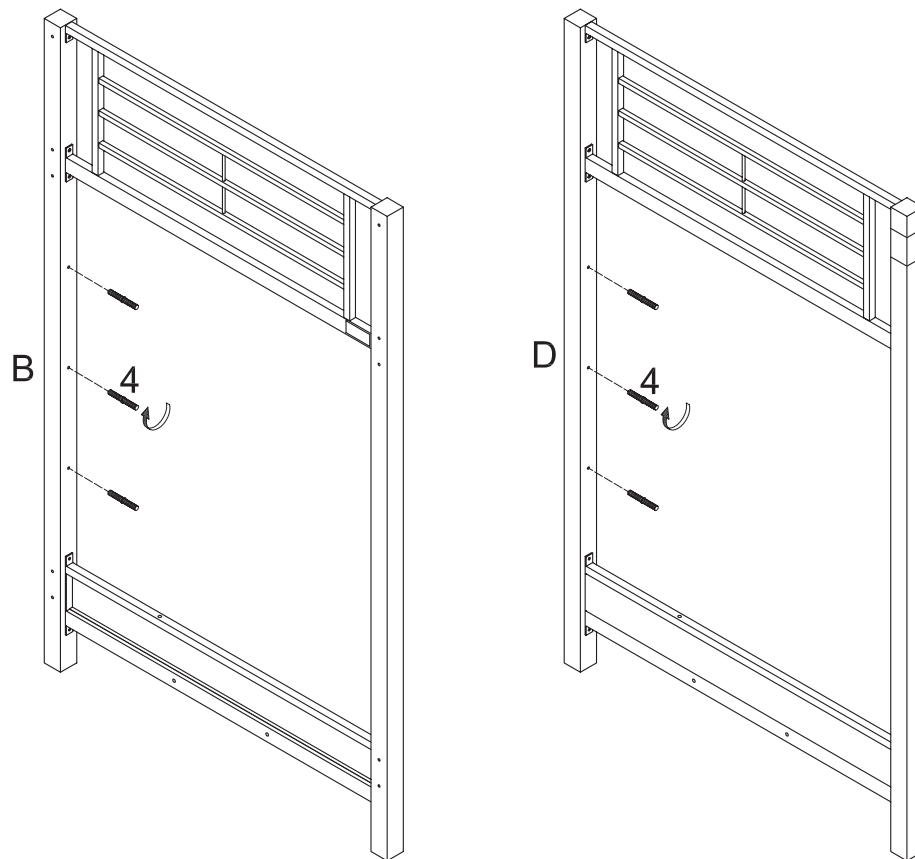
Attach double crossbar (G) and crossbar (H) with guardrail (I) to posts (A,B) using extra-small bolts (1) with small washers (7). Note that the end of guardrail (I) with the manufacturer label will attach to post (B).

## Step 3



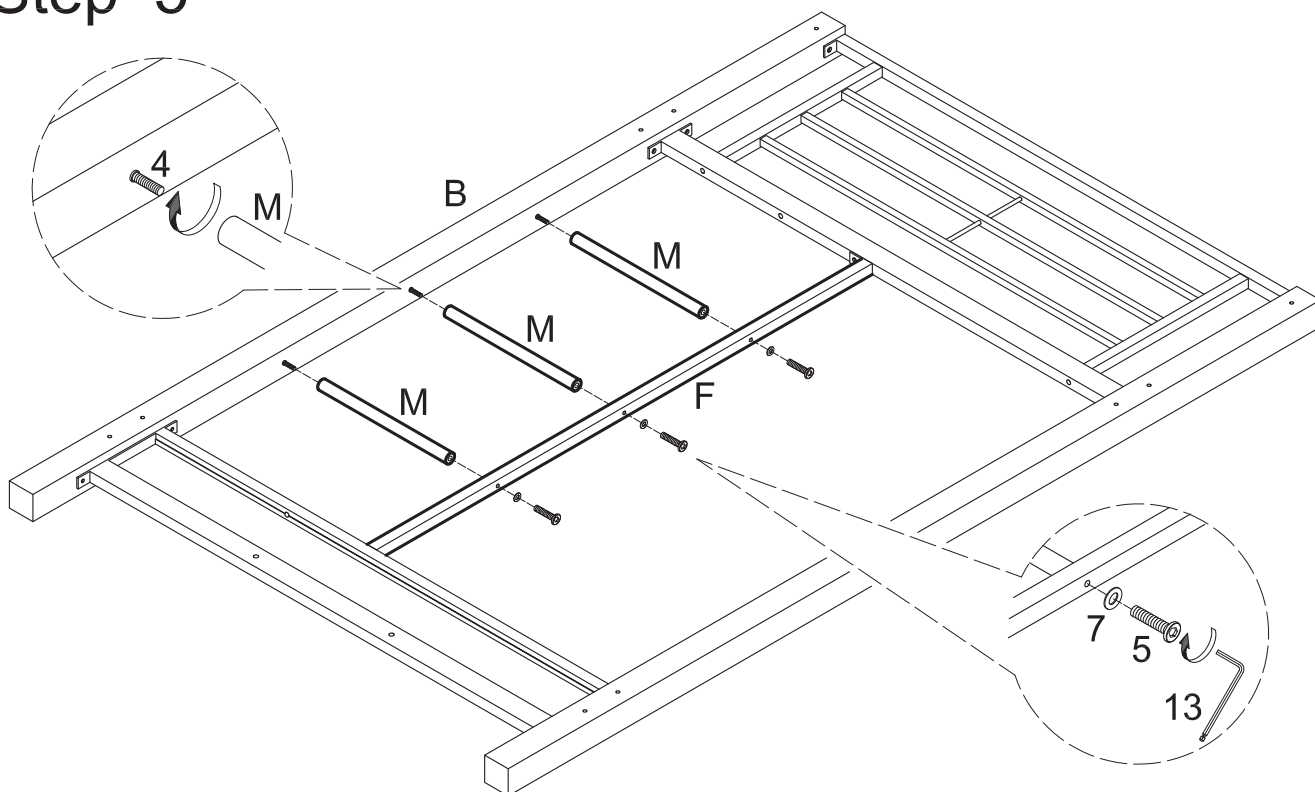
Attach double crossbar (U) and crossbar (H) with guardrail (I) to posts (C,D) using extra-small bolts (1) with small washers (7).

## Step 4



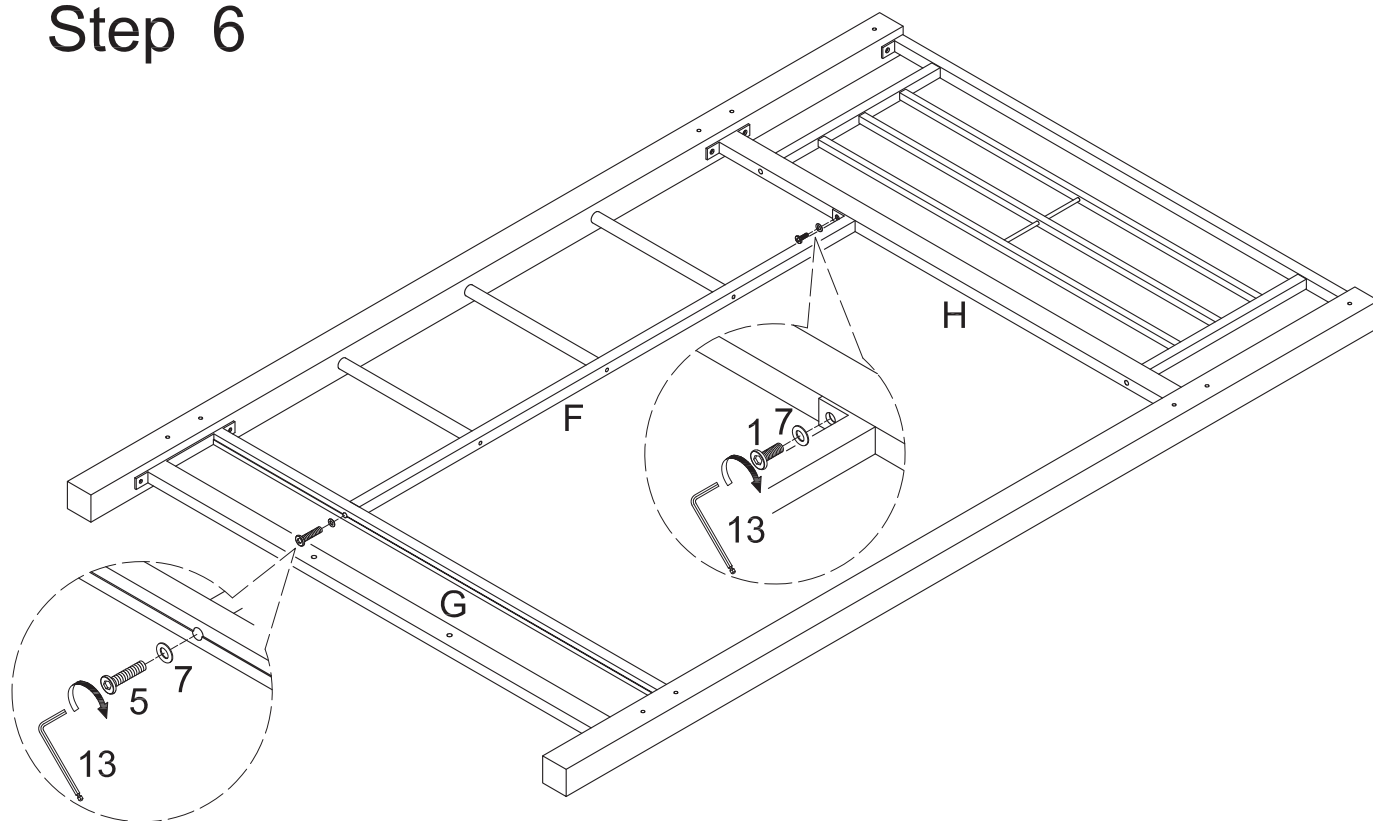
Screw double-headed bolts (4) into posts (B,D).

## Step 5



Screw ladder rungs (M) onto double-headed bolts (4). Attach ladder rail (F) to ladder rungs (M) using small bolts (5) with small washers (7).

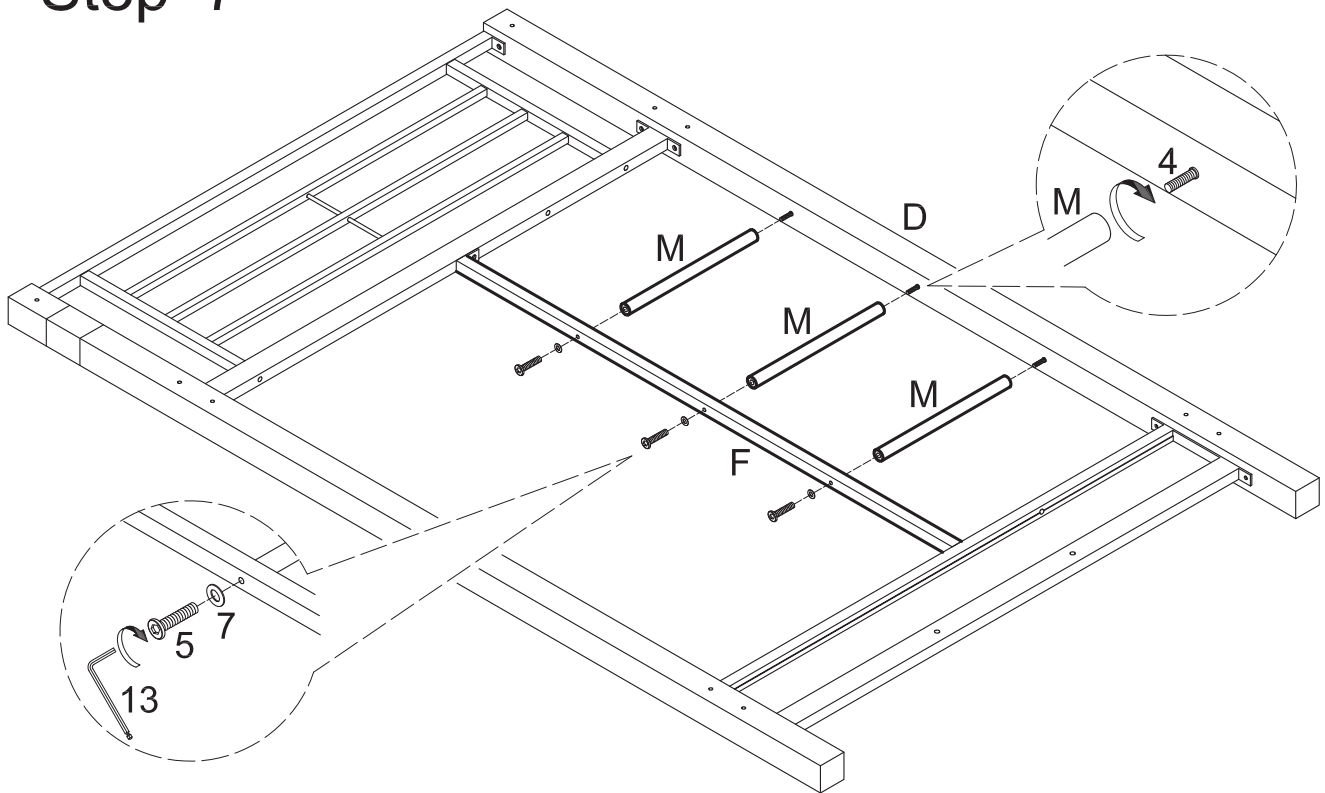
## Step 6



Secure ladder rail (F) to double crossbar (G) using small bolt (5) with small washer (7). Secure ladder rail (F) to crossbar (H) using extra-small bolt (1) with small washer (7).

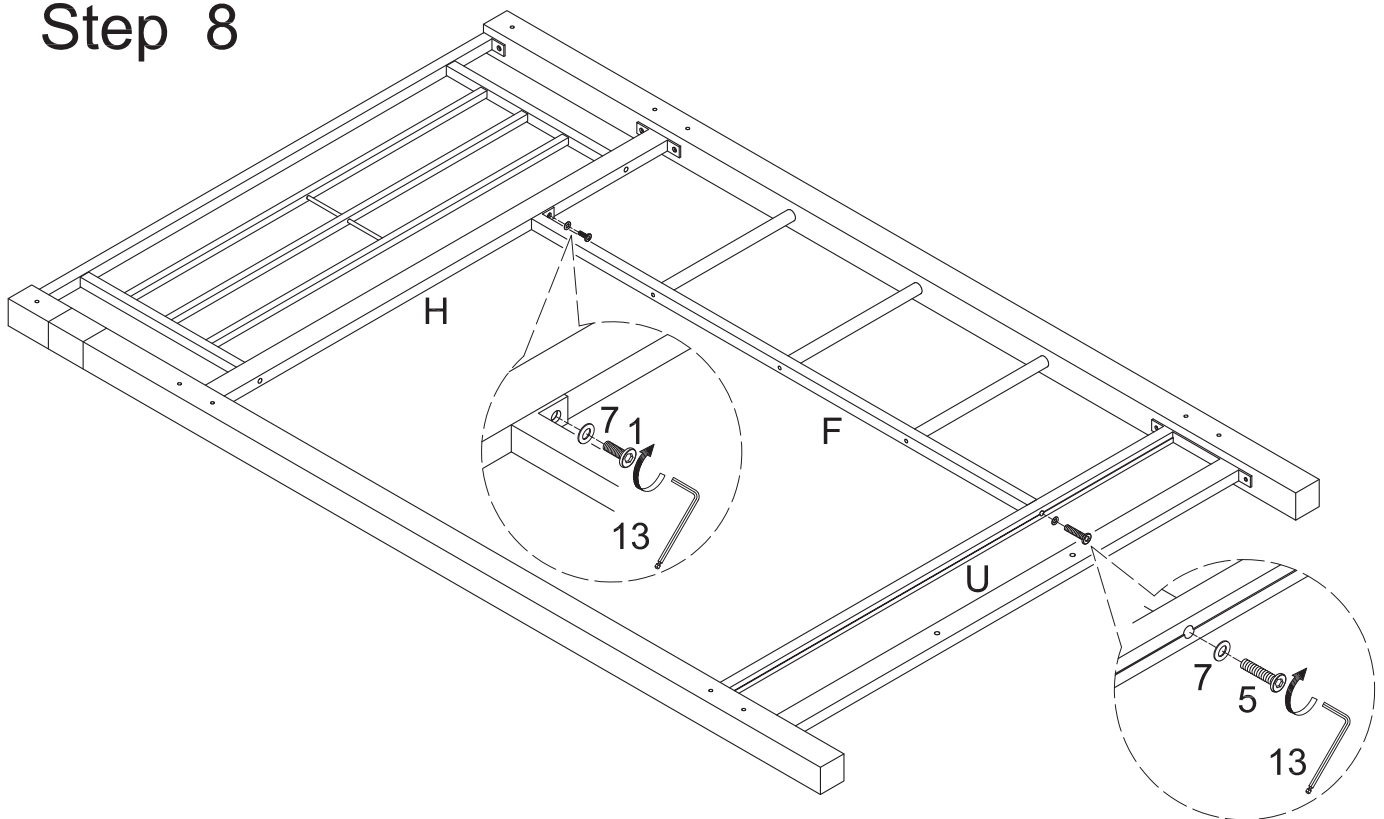


## Step 7



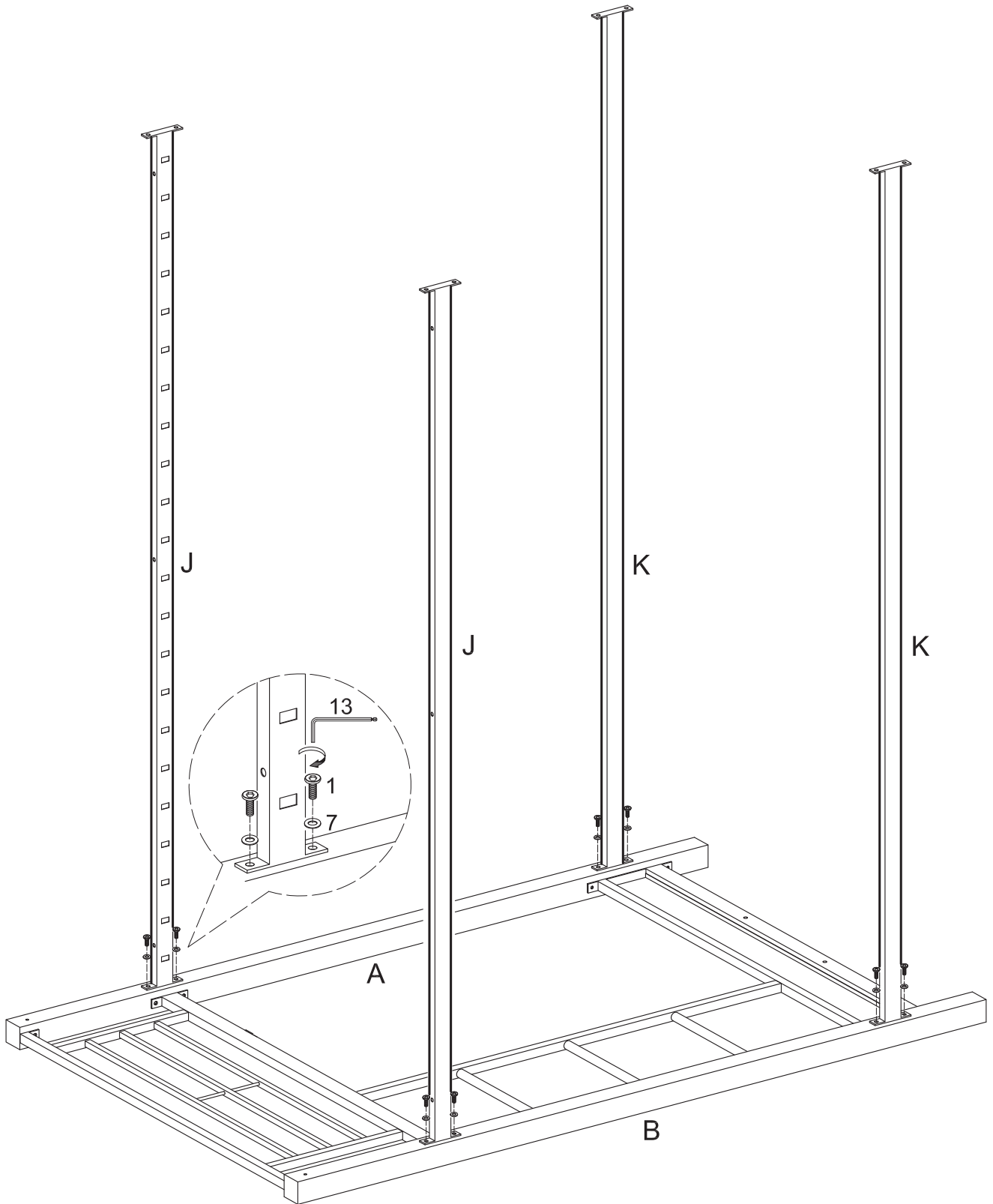
Screw ladder rungs (M) onto double-headed bolts (4). Attach ladder rail (F) to ladder rungs (M) using small bolts (5) with small washers (7).

## Step 8



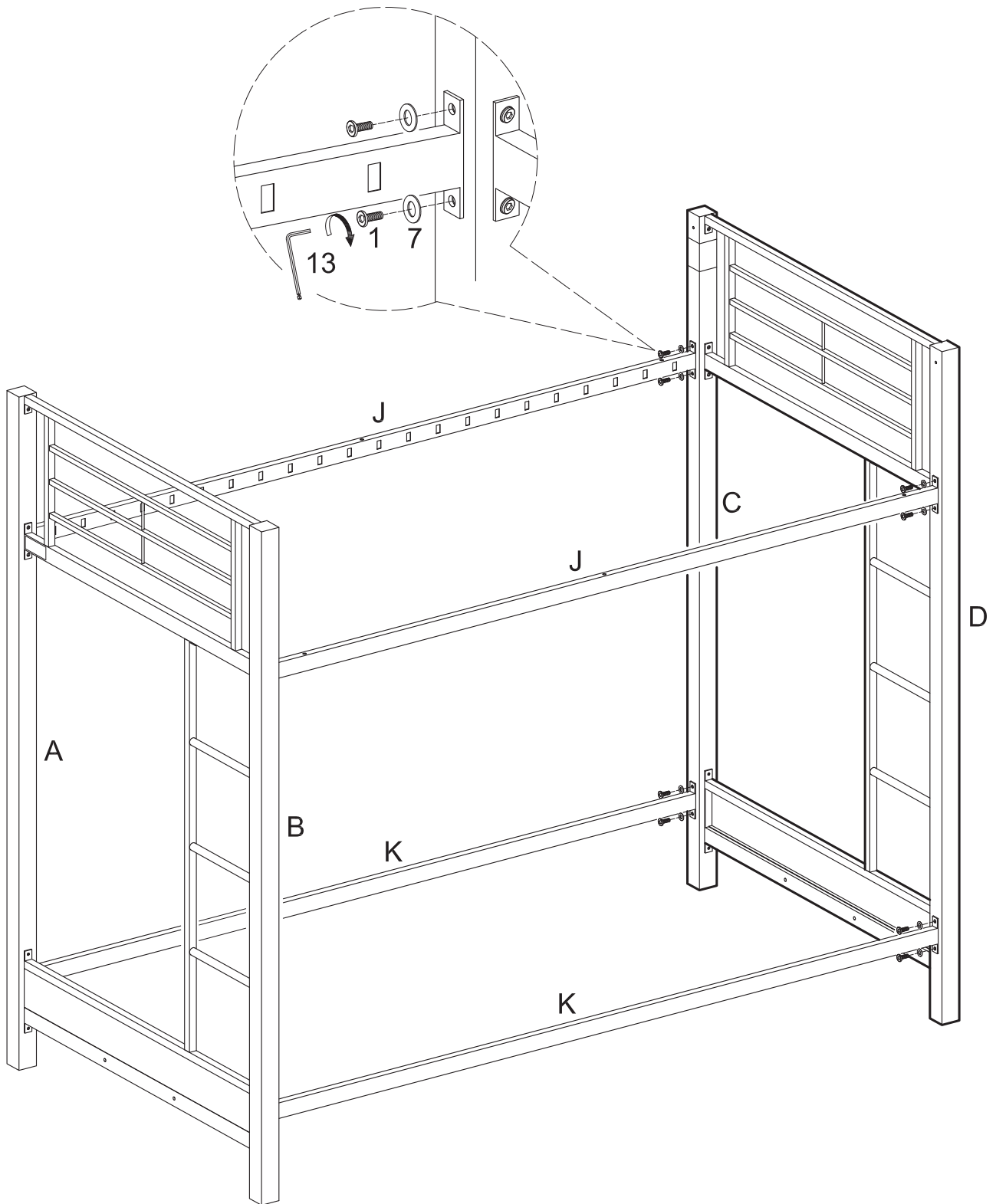
Secure ladder rail (F) to double crossbar (U) using small bolt (5) with small washer (7). Secure ladder rail (F) to crossbar (H) using extra-small bolt (1) with small washer (7).

# Step 9



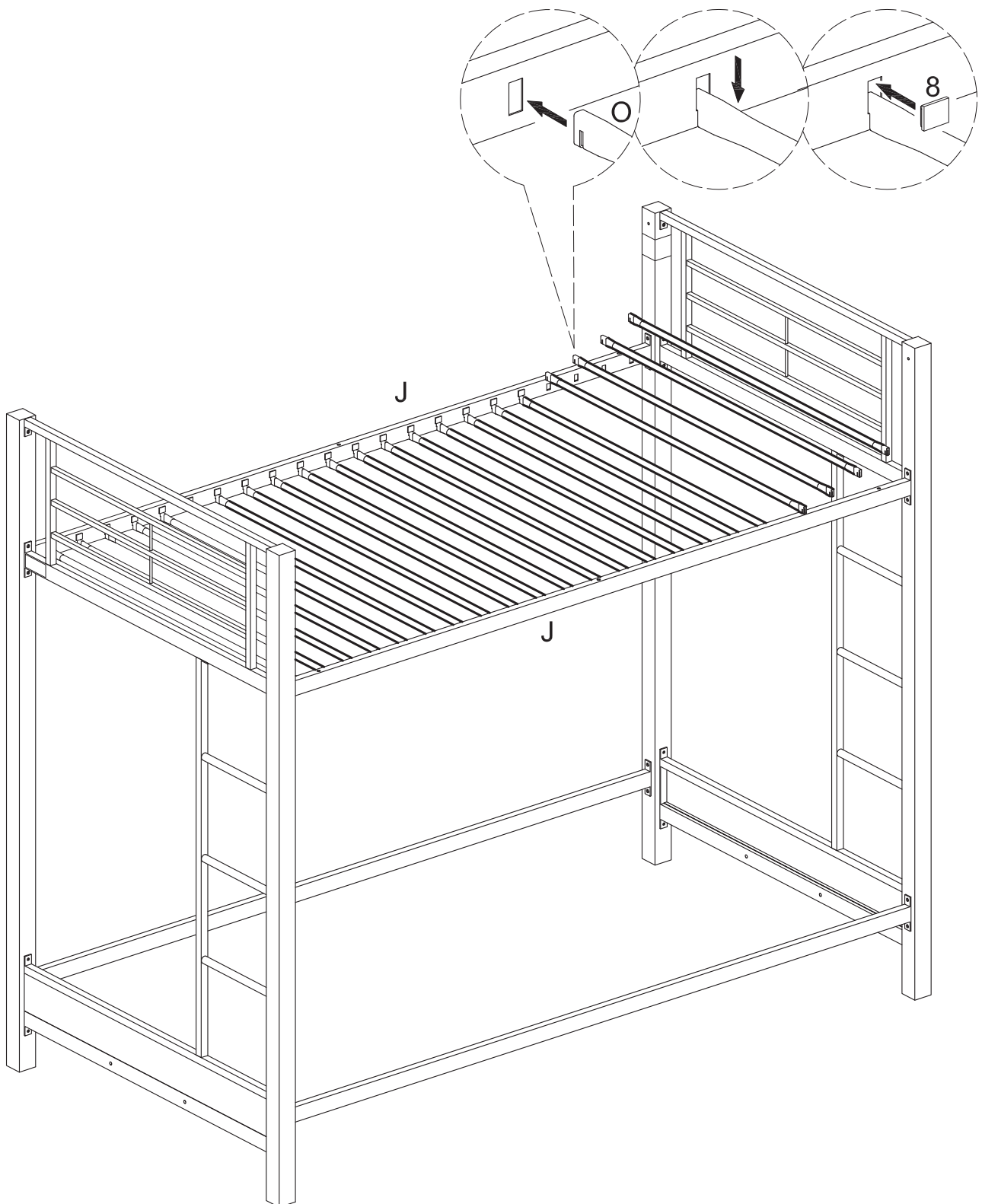
Attach crossbars (J,K) to posts (A,B) using extra-small bolts (1) with small washers (7).

# Step 10



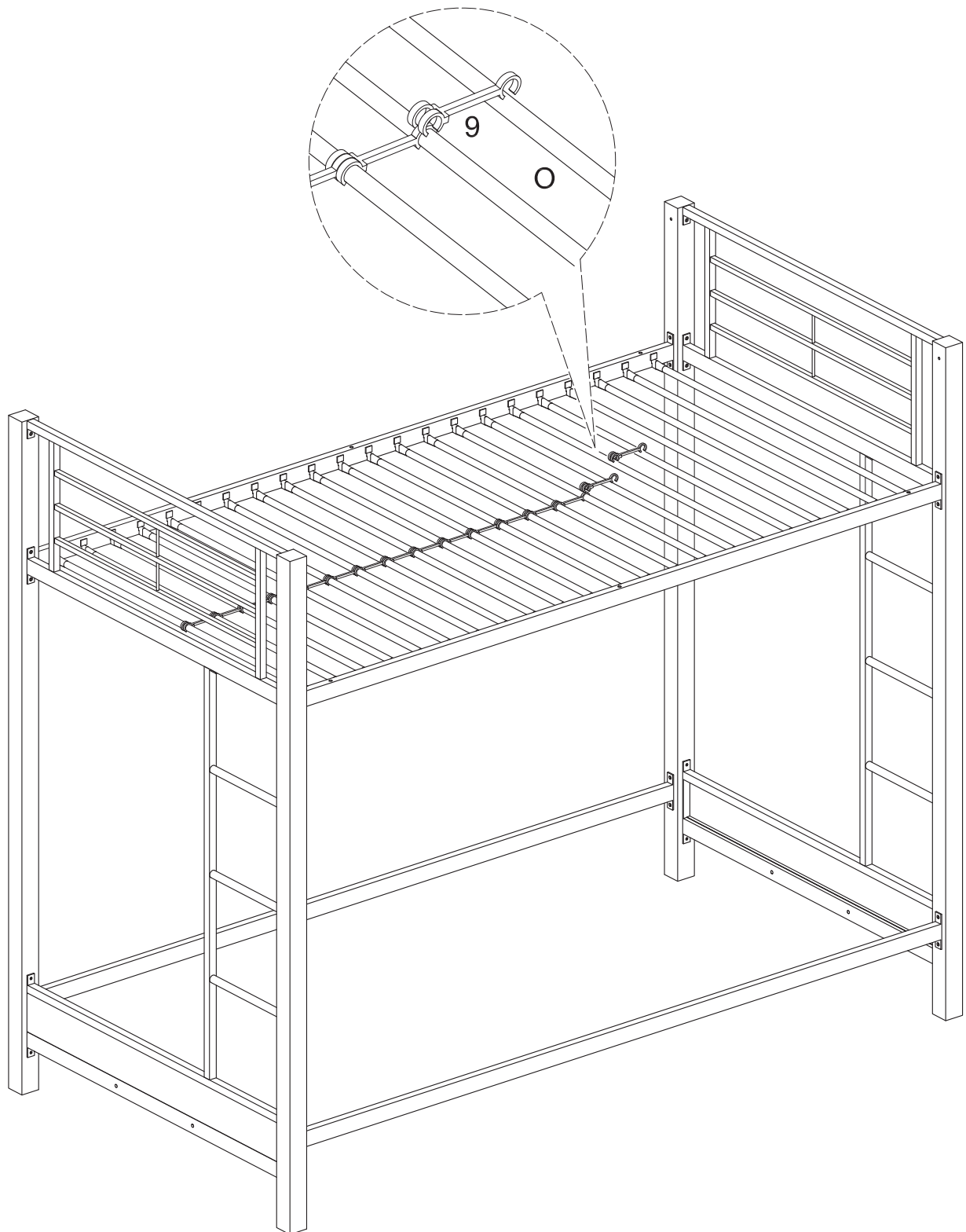
Attach crossbars (J,K) to posts (C,D) using extra-small bolts (1) with small washers (7).

# Step 11



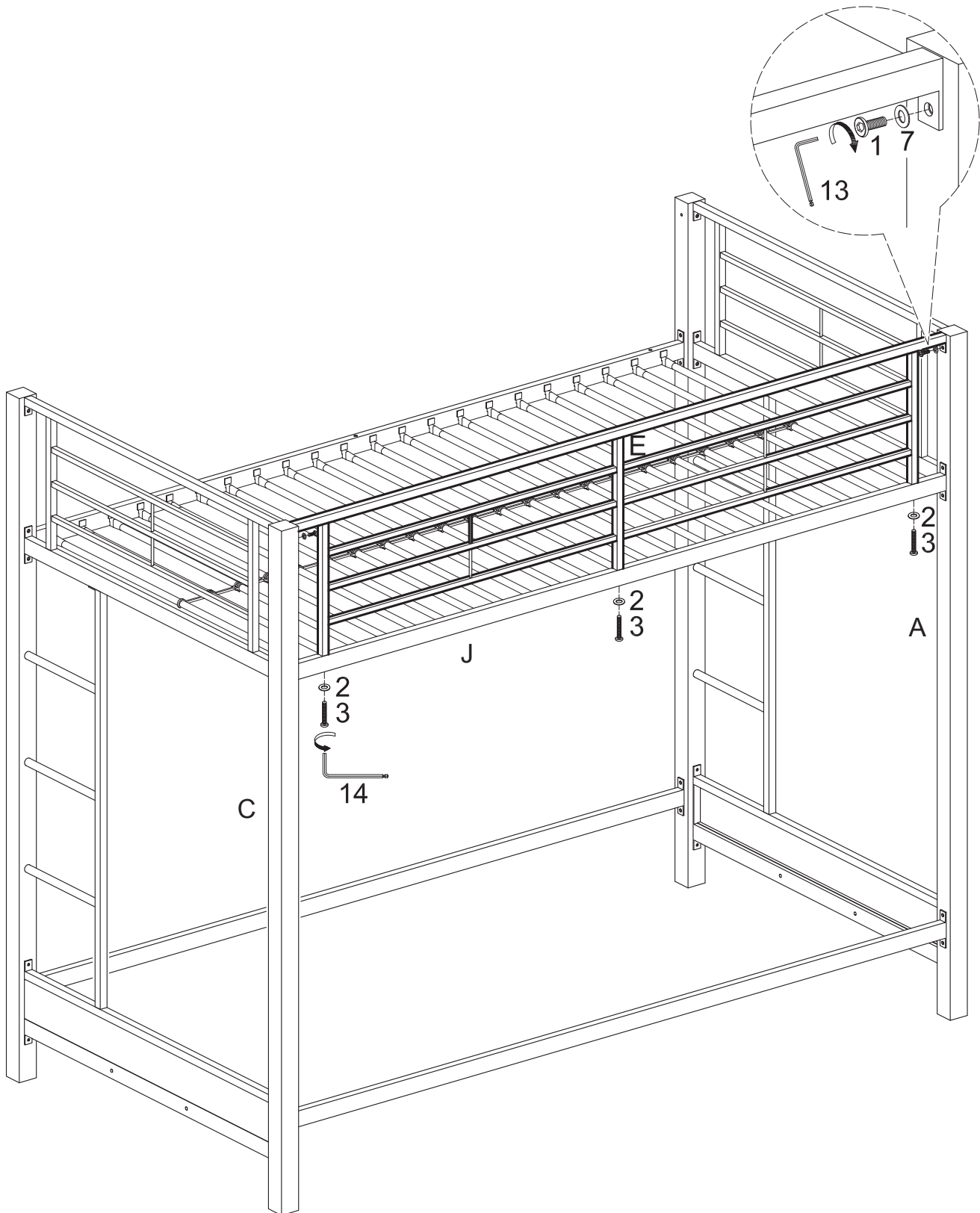
Insert mattress support bars (O) into the provided slots of crossbars (J). Secure mattress support bars (O) in place by snapping plastic tab locks (8) into the slots of crossbars (J). *It may be necessary to apply more pressure to some plastic tab locks than others.*

# Step 12



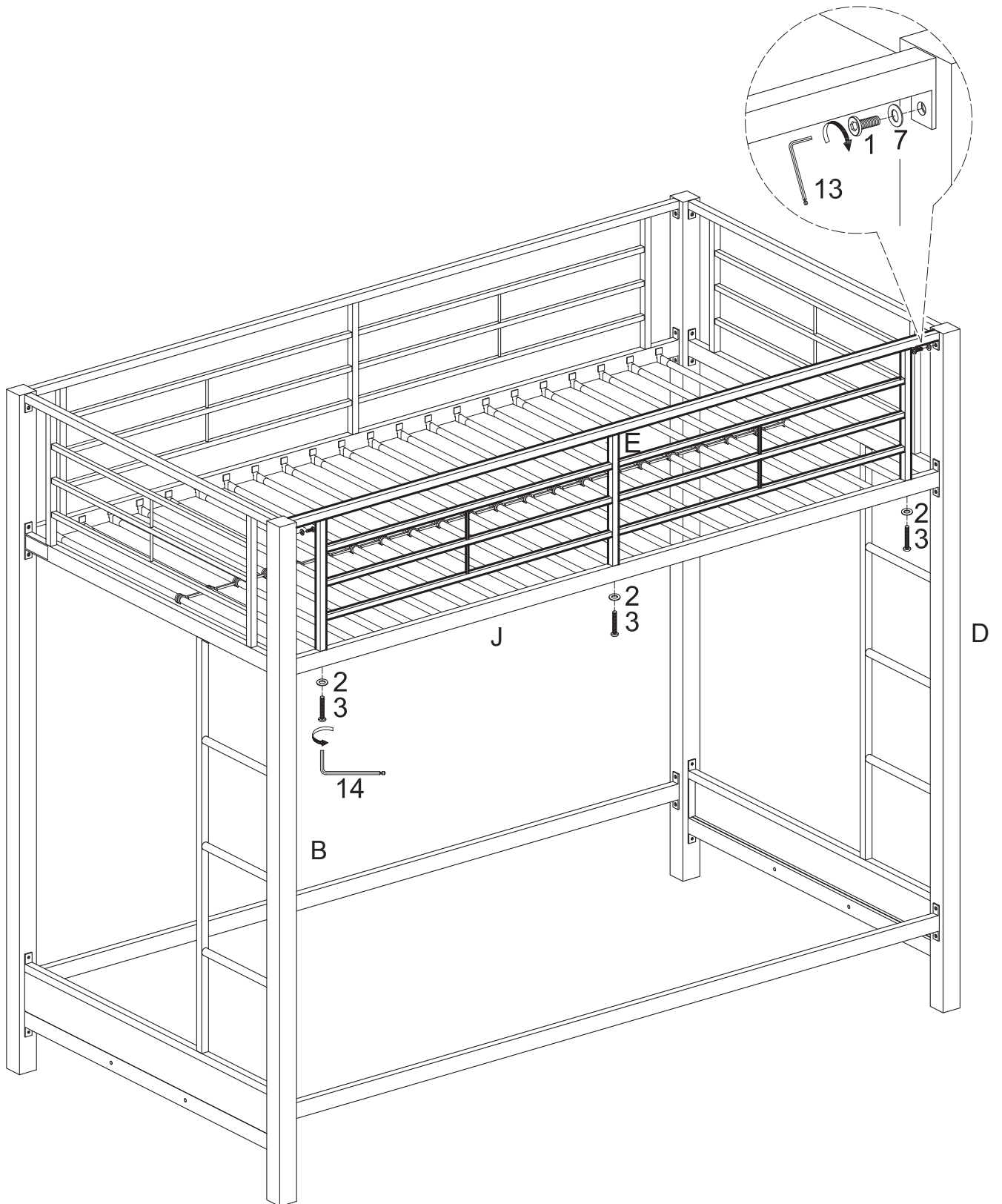
Snap plastic links (9) onto mattress support bars (O).

# Step 13



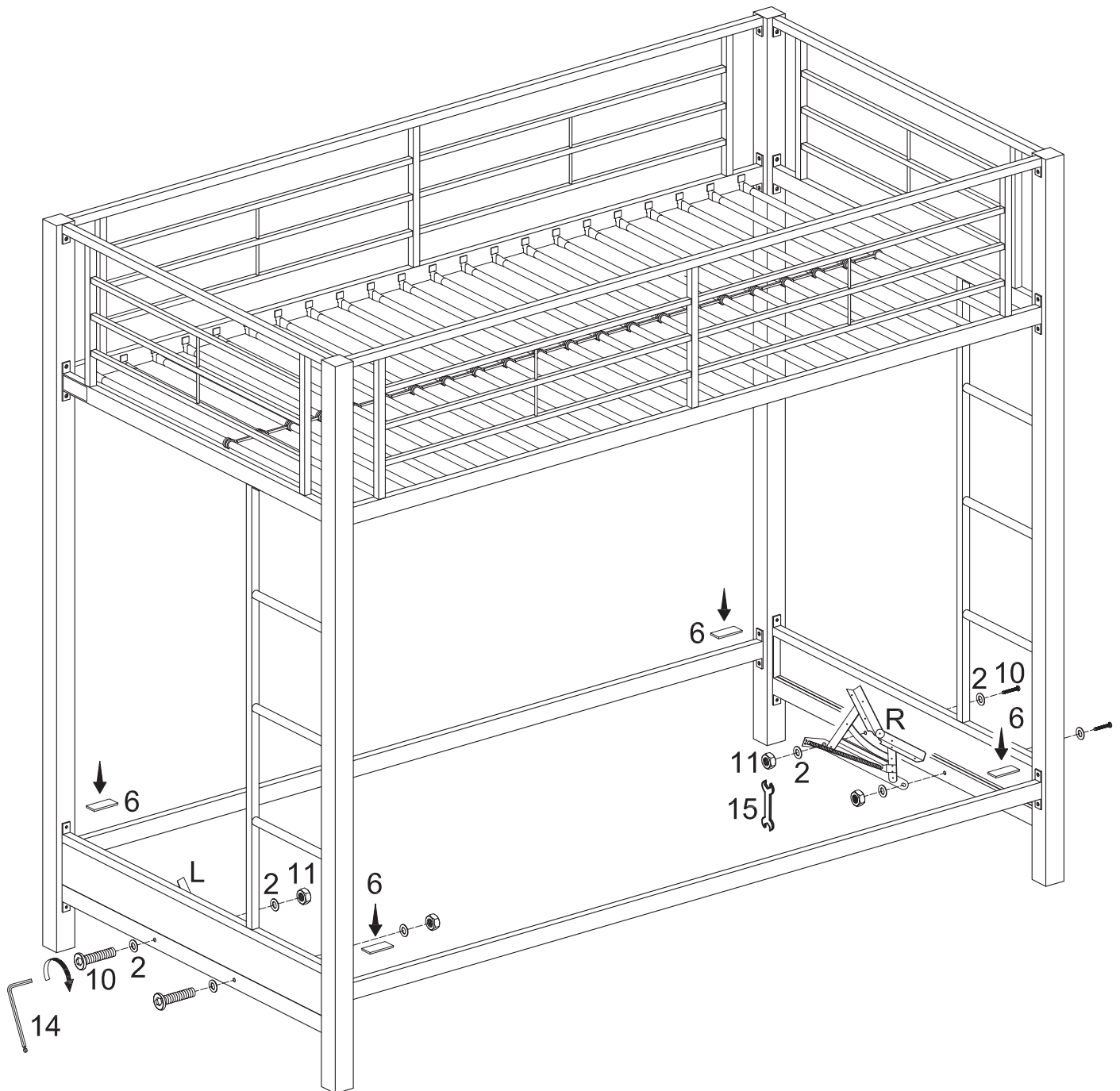
Attach guardrail (E) to posts (A,C) using extra-small bolts (1) with small washers (7). Attach guardrail (E) to crossbar (J) using extra-large bolts (3) with large washers (2).

# Step 14



Attach guardrail (E) to posts (B,D) using extra-small bolts (1) with small washers (7). Attach guardrail (E) to crossbar (J) using extra-large bolts (3) with large washers (2).

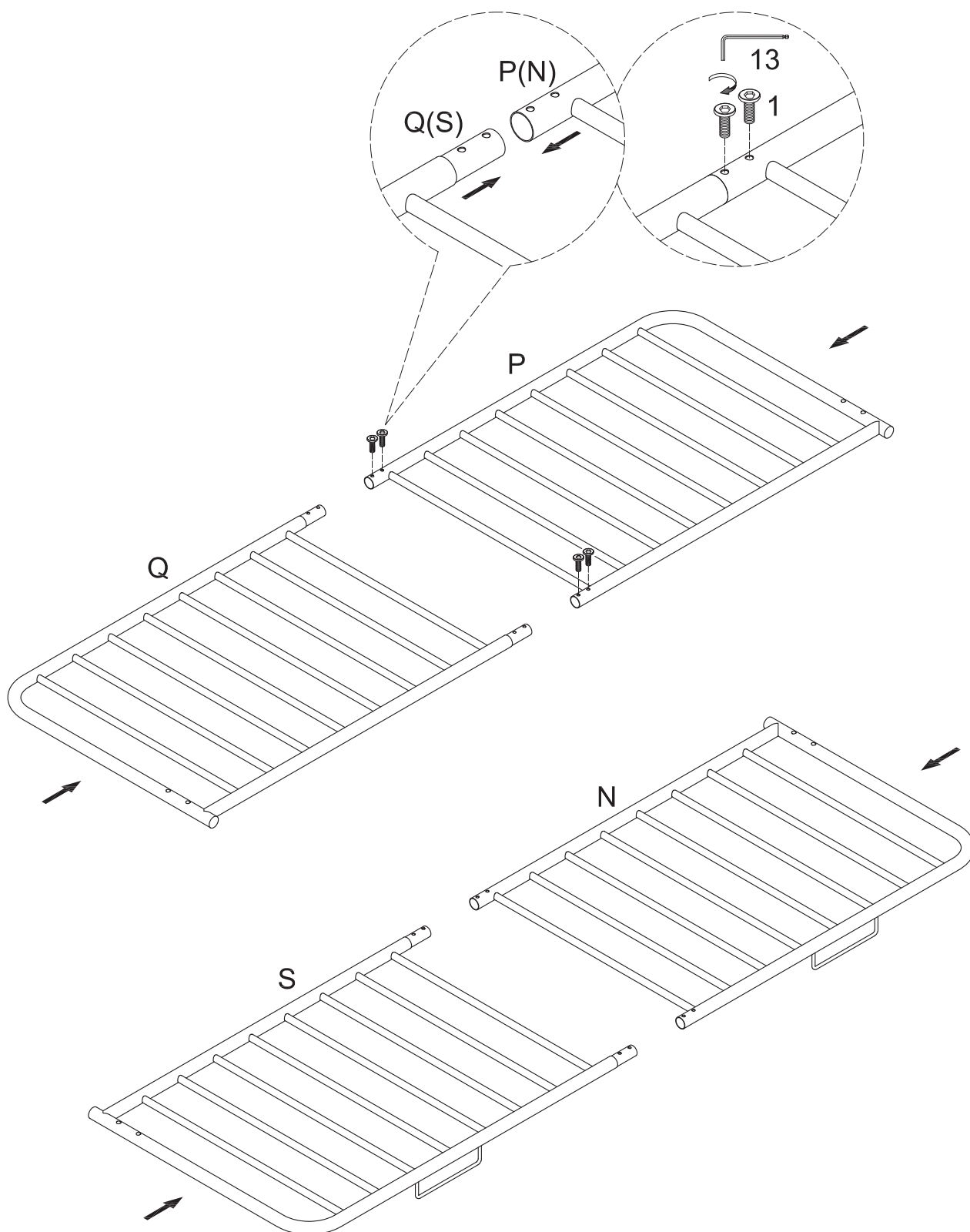
# Step 15



Attach futon adjustment mechanisms (L,R) to the bed frame using medium bolts (10) with large washers (2) and nuts (11) with large washers (2). Using wrenches (14,15) together, tighten medium bolts (10) and nuts (11) firmly. Attach foam pads (6) to bed frame as desired.

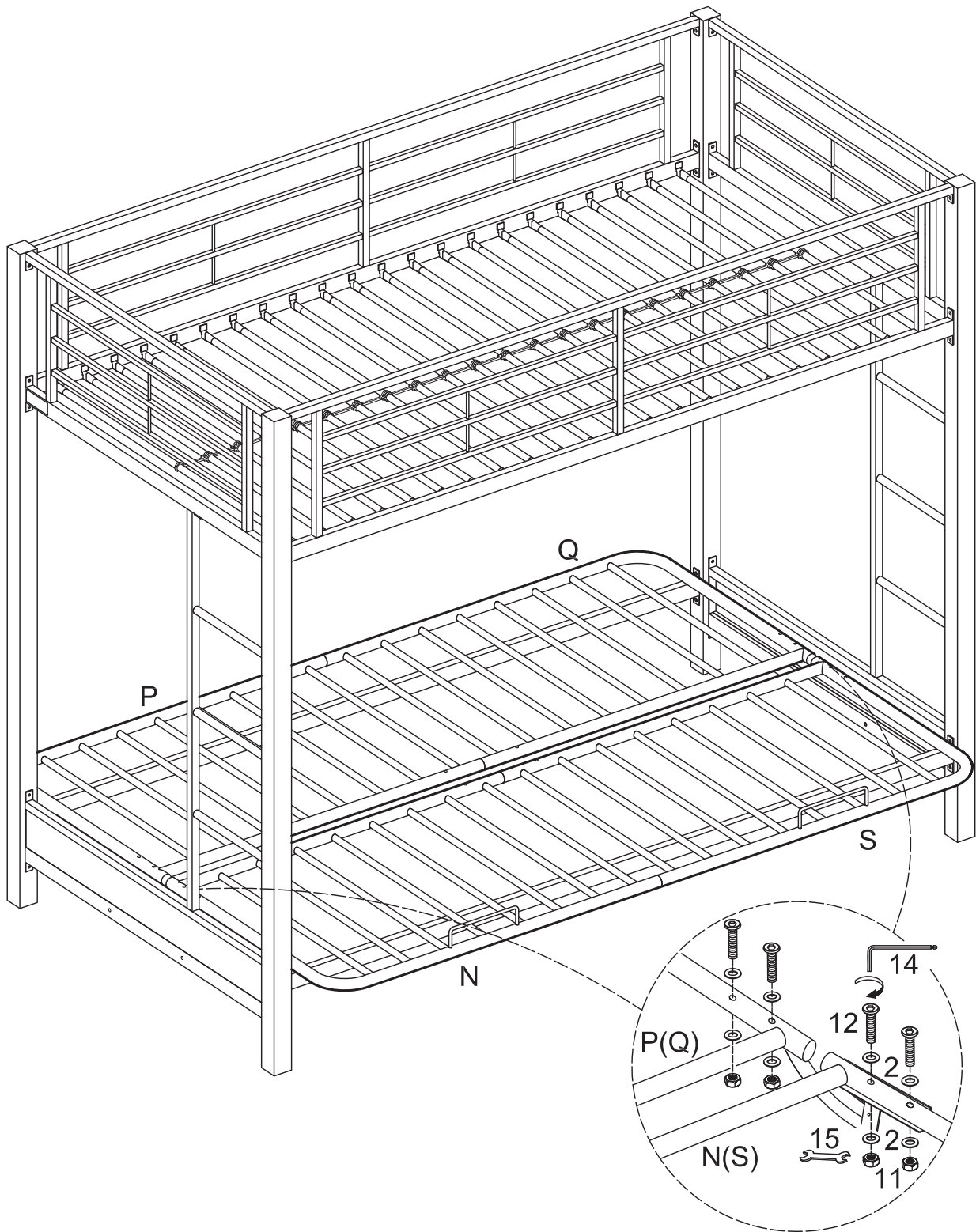


# Step 16



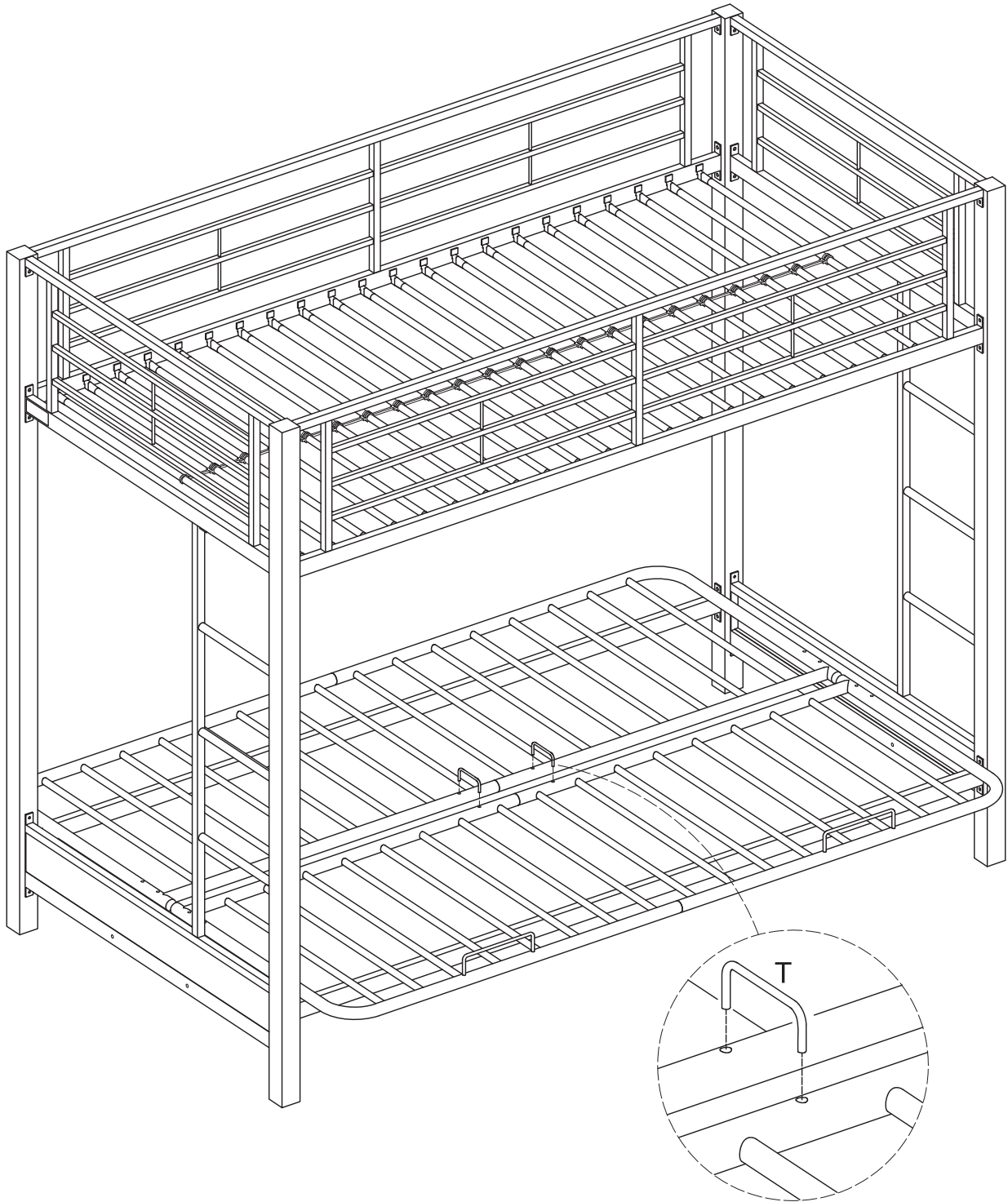
Slide futon frame portion (Q) into futon frame portion (P) and secure using extra-small bolts (1). Slide futon frame portion (S) into futon frame portion (N) and secure using extra-small bolts (1).

# Step 17



Attach the futon frames from the previous step to the futon adjustment mechanisms using large bolts (12) with large washers (2) and nuts (11) with large washers (2). Using wrenches (14,15) together, tighten large bolts (12) and nuts (11) firmly.

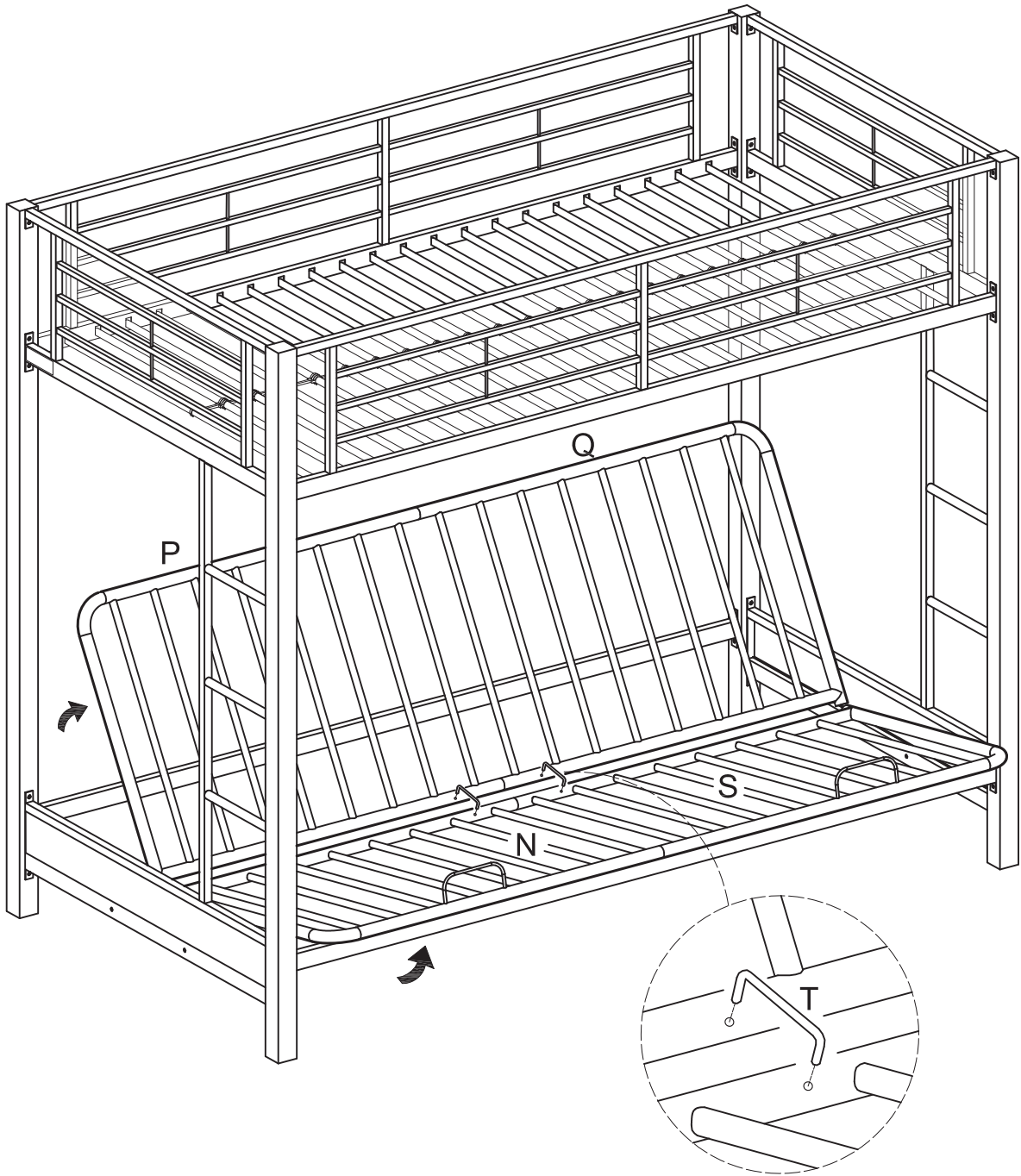
# Step 18A



## OPTION A

Insert connecting arms (T) into the futon frames.

# Step 18B



## OPTION B

Raise the futon frames into a sitting position. Insert connecting arms (T) into the futon frames.