



OWNER'S MANUAL

DIGITAL OIL-FILLED HEATER

24" | 600/ 900 / 1500W



MODEL 1VAHL24D

TECHNICAL DATA

Model: 1VAHL24D

Voltage: 120V~ / 60Hz

Watts: 600 / 900 / 1500W

CONSUMER PRODUCT INFORMATION

For your own records, please attach a copy of your sales receipt to this manual. Also, write the store name/location and date purchased below:

Store Name: _____

Location: _____

Date Purchased: _____

CONTENTS

Safety Guidelines	4-6
Product Diagram	7
Assembly Instructions.....	8
Instructions for Use	9
Operation.....	10
Care and Maintenance	11
Troubleshooting	11

IMPORTANT NOTE:

Read the manual carefully. Make sure to save this manual for future reference. Illustrations in this manual are for explanatory purposes only, your actual product may look slightly different.

READ AND SAVE THESE INSTRUCTIONS

IMPORTANT INSTRUCTIONS

1. Carefully read the instructions before operating the unit
2. This appliance is for indoor use only.
3. Rating: This unit must be only connected to a 120V/60Hz grounded outlet.
4. Installation must be in accordance with regulations of the country where the unit is used.
5. If you are in any doubt about the suitability of your electrical supply have it checked and, if necessary, modified by a qualified electrician.
6. This heater has been tested and is safe to use. However, as with any electrical appliance use it with care.
7. Disconnect the power from the unit before dismantling, assembling or cleaning.
8. Avoid touching any moving parts within the appliance.
9. Never insert fingers, pencils or any other objects through the guard.
10. This appliance can be used by Children aged from 8 years and above and persons with reduced physical, sensory or mental capabilities or lack of experience and knowledge if they have been given supervision or instruction concerning use of the appliance in a safe way and understand the hazards involved.
11. Children shall not play with the appliance.
12. Cleaning and user maintenance shall not be carried out by children.
13. Children aged from 3 years and less than 8 years shall only switch on/off the appliance provided it has been placed or installed in its intended normal operating position and they have been given supervision or instruction concerning use of the appliance in a safe way and understand the hazards involved.
14. Children aged from 3 years and less than 8 years shall not plug in, regulate, or clean the appliance or perform user maintenance.
15. Children under 3 years should be kept away unless continuously supervised.
16. Some parts of this product can become very hot and cause burns. Particular attention has to be given where children and vulnerable people are present.
17. Do not clean the unit by spraying it or immersing it in water.
18. Never connect the unit to an electrical outlet using an extension cord. If an outlet is not available, one should be installed by a qualified electrician.
19. Never operate this appliance if the unit, cord or plug is damaged. Ensure the

- power cord is not stretched, exposed to sharp object/edges, or routed under the unit.
20. Any service other than regular cleaning should be performed by an authorized service representative. Failure to comply could result in a voided warranty.
 21. Never use the plug as a switch to start and turn off the heater. Use the provided power button located on the control panel.
 22. Do not use an external timer.
 23. Do not cover the appliance, or place items close to the unit which may restrict airflow, as this may present a fire risk.
 24. The heater must not be located immediately below a socket outlet.
 25. Always place the unit on a dry and stable surface. Do not move or tilt the unit.
 26. Avoid keeping the unit in direct sunlight for a long period of time.
 27. The heater is designed to be used at temperatures above -4°F. If it is exposed to temperatures below this, it must be allowed to warm above this level before operation.
 28. Do not attempt to repair, disassemble or modify the appliance. This unit contains no user-serviceable parts.
 29. Always unplug or disconnect the appliance from the mains power supply when not in use, or when moving or cleaning it. Do not pull the cord to unplug the heater.
 30. Keep the heater clean. Do not allow any object to enter the ventilation or exhaust opening as this may cause electric shock, fire, or damage to the heater.
 31. Do not use the appliance for anything other than its intended use. It is designed for domestic indoor use only.
 32. There may be a trace of odor during the first few minutes of initial use, or after a period of storage. This is normal and will quickly disappear.
 33. This appliance has hot and arcing or sparking parts inside. Do not use it in areas where gasoline, paint, or any flammable liquids are used or stored.
 34. This appliance is not intended for use in bathrooms, laundry areas and similar humid locations. Never locate this appliance where it may fall into a bathtub or otherwise become exposed to water.
 35. The remote may contain a battery, keep out of reach of small children. Seek Medical advice if swallowed.
 36. To prevent battery leakage: Remove the battery from the remote if exhausted or before long periods of storage.

WARNING: To reduce the risk of fire or electrical shock, DO NOT use this

SAFETY GUIDELINES

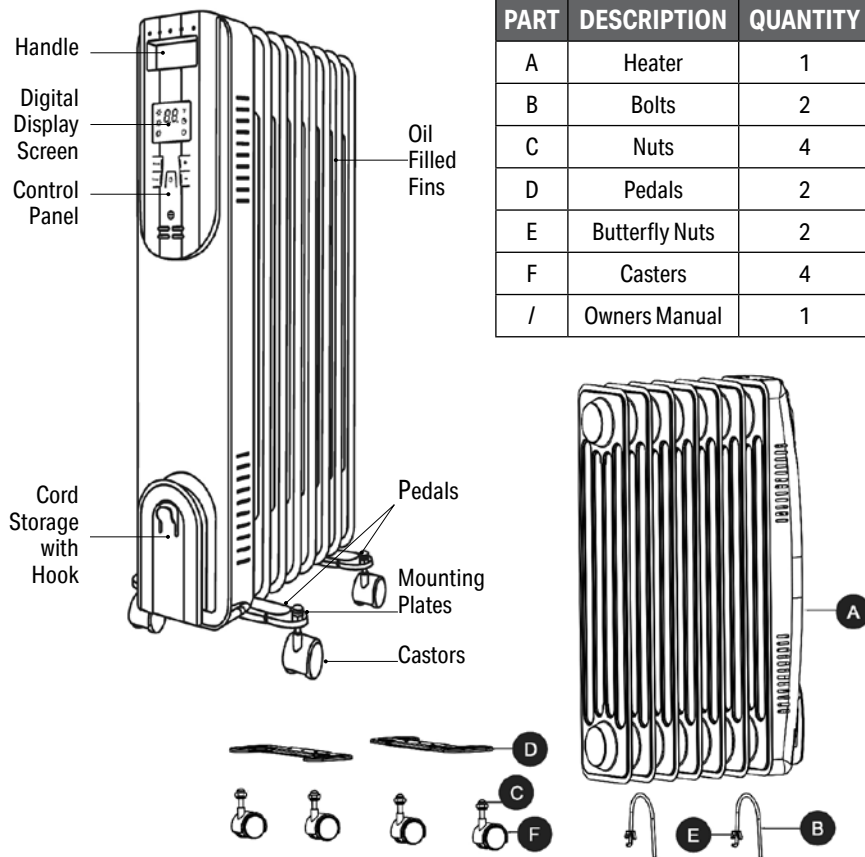
(Continued)

appliance with any solid-state Speed Control Device or any variable speed controllers.

ENERGY SAVING AND UNIT SAFETY PROTECTION TIPS

- Do not cover or restrict the airflow. Do not use in dusty environment.
- For safety and maximum performance, the minimum distance from a wall or objects should be 19.5 in.

PRODUCT DIAGRAM



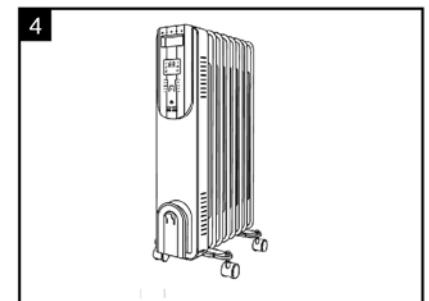
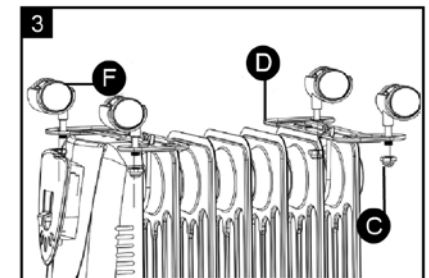
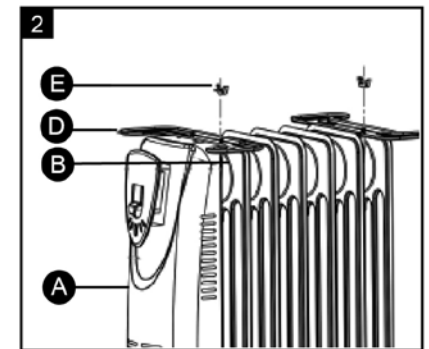
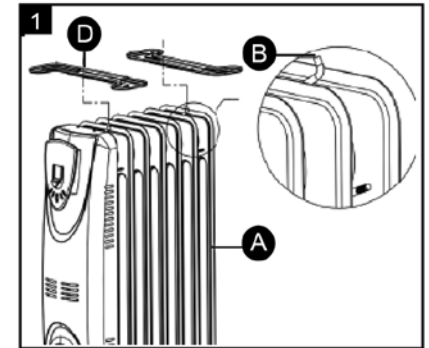
PART	DESCRIPTION	QUANTITY
A	Heater	1
B	Bolts	2
C	Nuts	4
D	Pedals	2
E	Butterfly Nuts	2
F	Casters	4
/	Owners Manual	1

ASSEMBLY INSTRUCTIONS

1. Turn the heater (A) upside down. remove the Butterfly Nuts from the bolts (B). Then insert the bolts (B) in "U" direction into the heater (A).
2. Use the Butterfly Nuts (E) removed from Step 1 to secure both pedals (D) to the bolts (B).
3. Remove the Nuts (C) preassembled to the Casters (F). Insert the top of Casters into the holes on the Pedals (D). Use the removed Nuts to secure the Casters to the Nuts.
4. Turn the assembled unit upright. Ensure the Castors are installed correctly and level. Place the heater only on a flat and stable surface. Placing the heater on an incline can cause damage to the heater and lead to hazardous situations.

⚠ WARNING

DO NOT open or refill/change oil fins. Oil fins are permanently sealed and DO NOT require refilling or oil changing. Attempting to open fins will damage the unit. This unit is filled with a non-toxic mineral oil.



INSTRUCTIONS FOR USE

POSITIONING THE HEATER

- Place the unit in an upright position on a flat, stable and heat-resistant surface.
- Ensure that there are no flammable or heat-sensitive materials or substances within 39.5 in. of the front and 19.5 in. of the rear and sides of the unit.
- Do not cover the heater.

CONNECTING THE HEATER

- Before inserting the plug into a suitable socket, make sure that the unit is intact, properly assembled and that there is no signs of damage to the appliance or its power cable.
- To avoid overloading a circuit, connect the unit only to a circuit where no other equipment is connected.
- When the power switch is in the OFF position, insert the plug into a grounded socket and turn on the power.

DISPLAY SCREEN

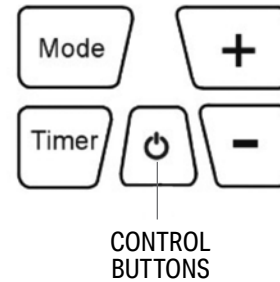


INSTRUCTIONS FOR USE

(Continued)

CONTROL PANEL

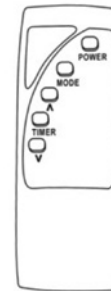
The unit can be operated using the remote control or the control panel on the side of the unit.



CONTROLS/DISPLAY		FUNCTION/DESCRIPTION
	ON/OFF	Turns the heater ON or OFF.
	Mode	Selects between LOW, MED, HIGH modes.
	Temperature Up	Increases desired temperature.
	Temperature Down	Decreases desired temperature.
	Timer	Sets hour value for the timer.

REMOTE CONTROL

The buttons on the remote allow the access to the same settings as the main control panel.



REMOTE CONTROL INSTRUCTION	
Power	Turns the heater ON or OFF.
Mode	Selects between LOW, MED, HIGH modes.
^	Increases desired temperature.
v	Decreases desired temperature.
Timer	Sets hour value for the timer.

Model: AAA/LR03

Voltage: DC 1.5V

Capacity: 1300mAh

This remote control uses two AAA /LR03 batteries (NOT INCLUDED)

WARNING: NEVER dispose of batteries in fire. Failure to observe this precaution may result in an explosion. Dispose of batteries at your local hazardous material processing center or per local laws.

OPERATION

TURNING ON/OFF

Turn the heater ON/OFF by pressing the "ON/OFF" button.

SELECTING A POWER LEVEL

Press the "HEAT" button repeatedly to select a Heat level between LOW, MEDIUM and HIGH. The display will show the currently selected Heat level.

SETTING THE TEMPERATURE

The desired temperature can be set between 59°F and 95°F. Once the desired temperature has been reached the unit will stop the heating function.

With the unit operating at the desired heat level use the + and - buttons to set the desired temperature.

While the unit is heating, the thermometer symbol will flash.

When the room temperature is above the desired temperature the thermometer symbol will be illuminated constantly.

TIMER BUTTON

The in-built timer will allow you to set the unit to turn on or turn off after a set period of time. Please note, only one timer can be used at any time.

ON TIMER – The timer will turn on the unit automatically after the time set has elapsed.

1. With the unit turned off, press the TIMER button, then set the number of hours' time you desire the unit to start by repeatedly pressing the TIMER button.
2. Once the set time has elapsed, the unit will turn on automatically.
3. Press the POWER button before the time has elapsed and the unit will turn on as normal and the timer will be canceled.

OFF TIMER – The timer will turn off the unit automatically after the time set has elapsed.

1. While the unit is operating, press the TIMER button then set the number of hours' time you desire the unit to stop by repeatedly pressing the TIMER button.
2. Once the set time has elapsed, the unit will enter standby automatically.
3. Press the POWER button before the time has elapsed, the timer will be canceled and the unit will turn off.

CLEANING AND MAINTENANCE

ATTENTION: Please shut off the unit and unplug from the mains before cleaning or performing any maintenance.

CLEANING THE SURFACE

- Clean the heater with a duster or a soft wet cloth.
Do not use chemical solvents (such as benzene, alcohol or gasoline) as they may cause irreversible damage. Make sure no water enters the control panel or gaps in the casing.
- Do not run the unit until completely dry.
- Place the heater in its original box or cover to protect it from dust when not in use.
- Store it in a cool dry place.

TROUBLESHOOTING

Do not repair or disassemble the unit by yourself, unauthorized repair attempts will invalidate the warranty and may cause bodily harm.

PROBLEM	POSSIBLE CAUSES	SOLUTION
No Power	Power cord is unconnected.	Connect the power cord.
	There is no power from socket.	Check socket is turned on.
	The power switch on the rear of the unit is turned off.	Ensure the power switch on the rear of the unit is in the on position.
Odor emission from unit	New unit. When the unit is used for the first time the fan motor may produce an odor which will dissipate within a week of use.	No action required.
Strong vibrations and noise	Unit is not placed on a flat surface.	Place on a flat surface. May put an anti-vibration mat underneath.
	Unit may be damaged.	If the heater is damaged discontinue use and contact the service center.

If the above solutions do not resolve the problem please contact the service center.



4560 W. 160th Street
Cleveland, OH 44135

833-950-1185 | support@visionairproducts.com
www.visionairproducts.com