

Project Name:	
Location:	Approval:
Engineer:	Date:
Submitted to:	Construction:
Submitted by:	Unit #:
Reference:	Drawing #:

MODEL COMPATIBILITY:

Compatible with the following indoor units:

Indoor Unit Family	Model Number	Type
VRV and VRV Life	CXTQ, FXAQ, FXDQ, FXEQ, FXFQ, FXHQ, FXLQ, FXMQ, FXNQ, FXSQ, FXTQ, FXUQ, FXZQ	P1P2
SkyAir	FAQ, FBQ, FTQ, FCQ, FHQ	P1P2
Single-Zone and Multi-Zone	FDMQ, FFQ	P1P2
	CDXS, CTXS, FDXS, FTK*, FTKB*, FTX*, FTXB* FTXG, FTXR, FTXS, FVXS	S21

*FTK_AXVJU, FTKB_AXVJU, FTX_AXVJU and FTXB_AXVJU units are not compatible with the GWY connection; but they can be controlled through BACnet or Modbus.

The following indoor units do not have the S21 connection and require an additional interface adaptor (ordered separately) to provide the S21 connector:

Indoor Unit Models	Required Interface Adaptor
FTX09NMVJU, FTX12NMVJU, FTK09NMVJU, FTK12NMVJU	KRP067A41E
FTX15NMVJU, FTX18NMVJU, FTX24NMVJU, FTK18NMVJU, FTK24NMVJU	KRP980B2E

SPECIFICATIONS:

Model	AZAI6WSPDKC	
Description	DKN Plus Interface	
Maximum connections	1 for each S21/P1P2 indoor unit	
Wiring (initial)	P1P2/S21 communication and power wire	7.7ft / 2.35m (included)
	S21 wire adaptor	0.5ft / 0.15m (included)
	P1P2 wire adaptor	0.5ft / 0.15m (included)
Wiring (revision)	S21 Wire	8.2 ft / 2.5 m (Included)
	P1P2 Wire	8.2 ft / 2.5 m (Included)
Modbus RTU / BACnet MSTP communication baud rate	9600/19200/38400 bps (Default: 38400)	
Power supply	For DKN Plus Interface	12-16VDC from indoor unit PCB
	For 3rd party thermostat	24VAC from external power supply
Dimensions	3.62 in x 3.15 in x 1.14 in / 92mm x 80 mm x 29 mm	
Weight	3.24 oz / 92g	
Storage temperature	-4°F to 158°F	
Operation temperature	32°F to 113°F	
Compliance	EMC with the standard 47 CFR Part 15B (US) EMC with ICES-003 Issue 6 standard (Canada)	

PRODUCT IMAGE:



Daikin North America LLC, 5151 San Felipe, Suite 500, Houston TX, 77056

www.daikinac.com www.daikincity.com



Submittal Data Sheet

AZAI6WSPDKC – DKN Plus Interface

Project Name: _____

Location: _____

Engineer: _____

Submitted to: _____

Submitted by: _____

Reference: _____

Approval: _____

Date: _____

Construction: _____

Unit #: _____

Drawing #: _____

FEATURES:

- Versatile interface that can integrate with a third-party thermostat through multiple approaches:
 - Cloud API
 - Modbus
 - BACnet MS/TP
- 3rd party thermostat G/Y/W (Fan/Cool/Heat) relay control through thermostat wiring*
 - Automatically disables thermostat relay logic when cloud API connection detected
 - Custom control logic applied to minimize the loss of the indoor unit efficiency when no cloud API, BACnet or Modbus connection detected
 - Compatible Daikin thermostats: App Stat 250803400 – Value Series (TSTATD1100-2 or TSTATD1152-2) – Premium series (D4271C) – Premium Mini (D2270C) – Color Touch (DT4272C)
- Easy commissioning with Bluetooth configuration App
- Indoor unit control and monitoring points (for integration through cloud, Modbus, and BACnet MS/TP only)
 - On/Off
 - Setpoint
 - Room temperature
 - Mode (Auto, Cool, Heat, Fan, Dry)
 - Fan speed
 - Louver position
 - Error code
- Indoor unit force off by interlock control through digital input dry contact (T1T2)
- Controls auxiliary heater with dry contact as a secondary heat source:
 - Turn on and off the auxiliary heater based on the differential (configured in App) between the setpoint and the room temperature.
 - Enable/Disable the auxiliary heater based on outdoor temperature (S21 IDU only)
 - The user can enable the emergency heat mode from the DKN App
 - If the indoor unit has an error, the user can enable the emergency heater from the app.
- Modbus and BACnet MS/TP Integration
 - The following points are available:

No.	Point Name	Read Only/Writable
1	Unit on/off	Writable
2	Setpoint	Writable
3	Room temperature	Writable**
4	Mode Auto/Cool/Heat/Fan/Dry	Writable
5	Fan speed	Writable
6	Louver position	Writable
7	Error code	Read only
8	Digital input status	Read only
9	Aux heat output status	Read only

* Not compatible with FTK_AXVJU, FTKB_AXVJU, FTX_AXVJU and FTXB_AXVJU units, as the room temperature cannot be read by the DKN Plus Interface

** The room temperature is writable for P1P2 indoor units only and read only for S21 indoor units.

Daikin North America LLC, 5151 San Felipe, Suite 500, Houston TX, 77056

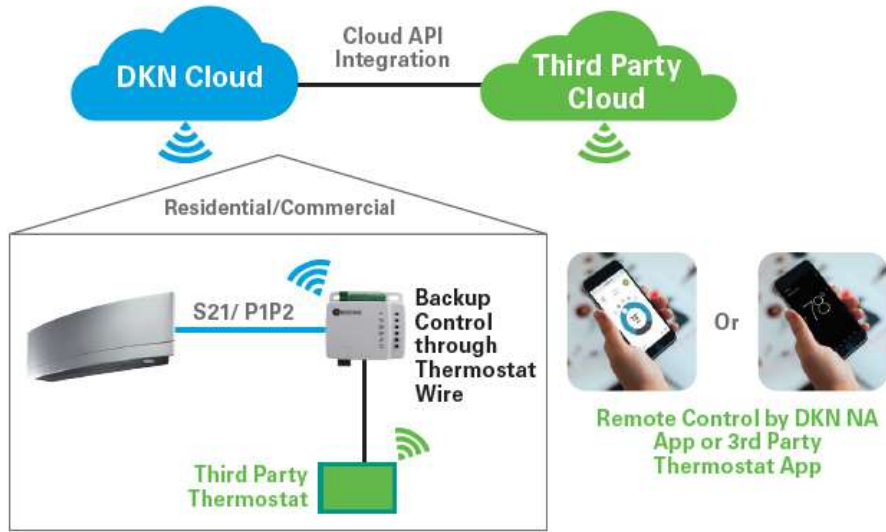
www.daikinac.com www.daikincity.com

(Daikin's products are subject to continuous improvements. Daikin reserves the right to modify product design, specifications and information in this data sheet without notice and without incurring any obligations)

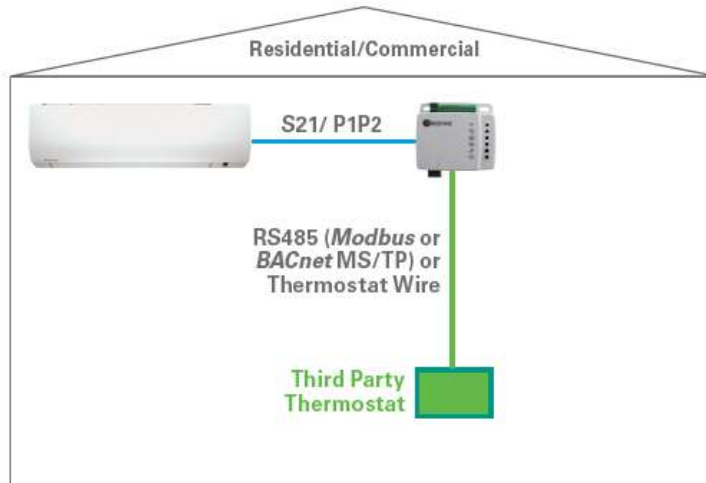
Project Name:	Approval:
Location:	Date:
Engineer:	Construction:
Submitted to:	Unit #:
Submitted by:	Drawing #:
Reference:	

SYSTEM DIAGRAM:

- Integration with 3rd party thermostat
 - Integration with Smart Thermostats through 3rd party Cloud API

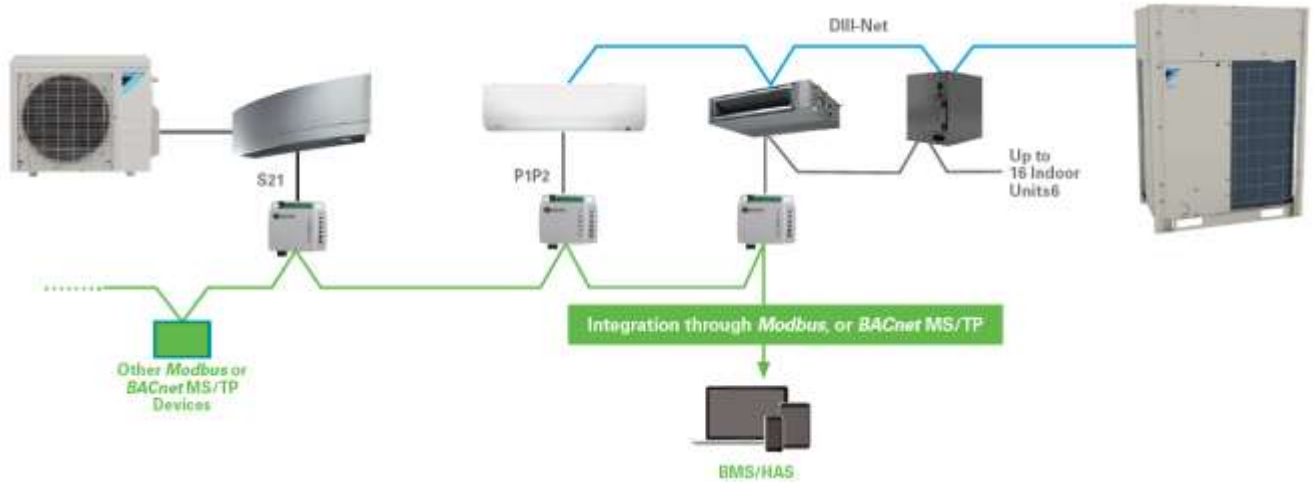


- Integration through RS485 or Thermostat Wire

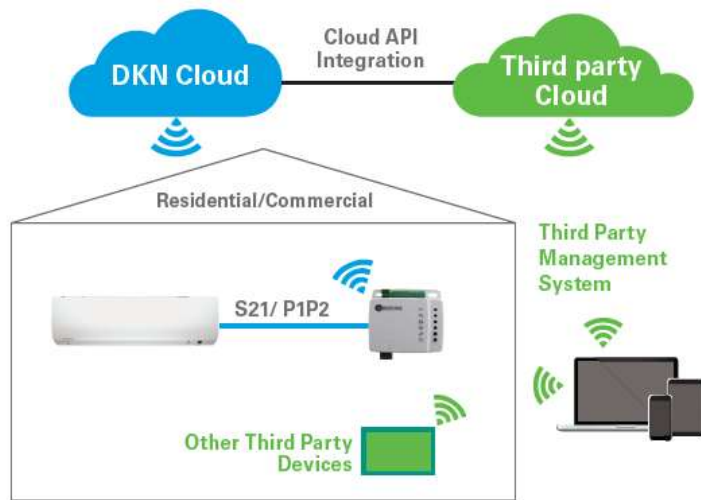


Project Name: _____	Approval: _____
Location: _____	Date: _____
Engineer: _____	Construction: _____
Submitted to: _____	Unit #: _____
Submitted by: _____	Drawing #: _____
Reference: _____	

- Integration with Building Management System (BMS) or Home Automation System (HAS)
 - Integration through Modbus or BACnet MS/TP



- Integration through Cloud API

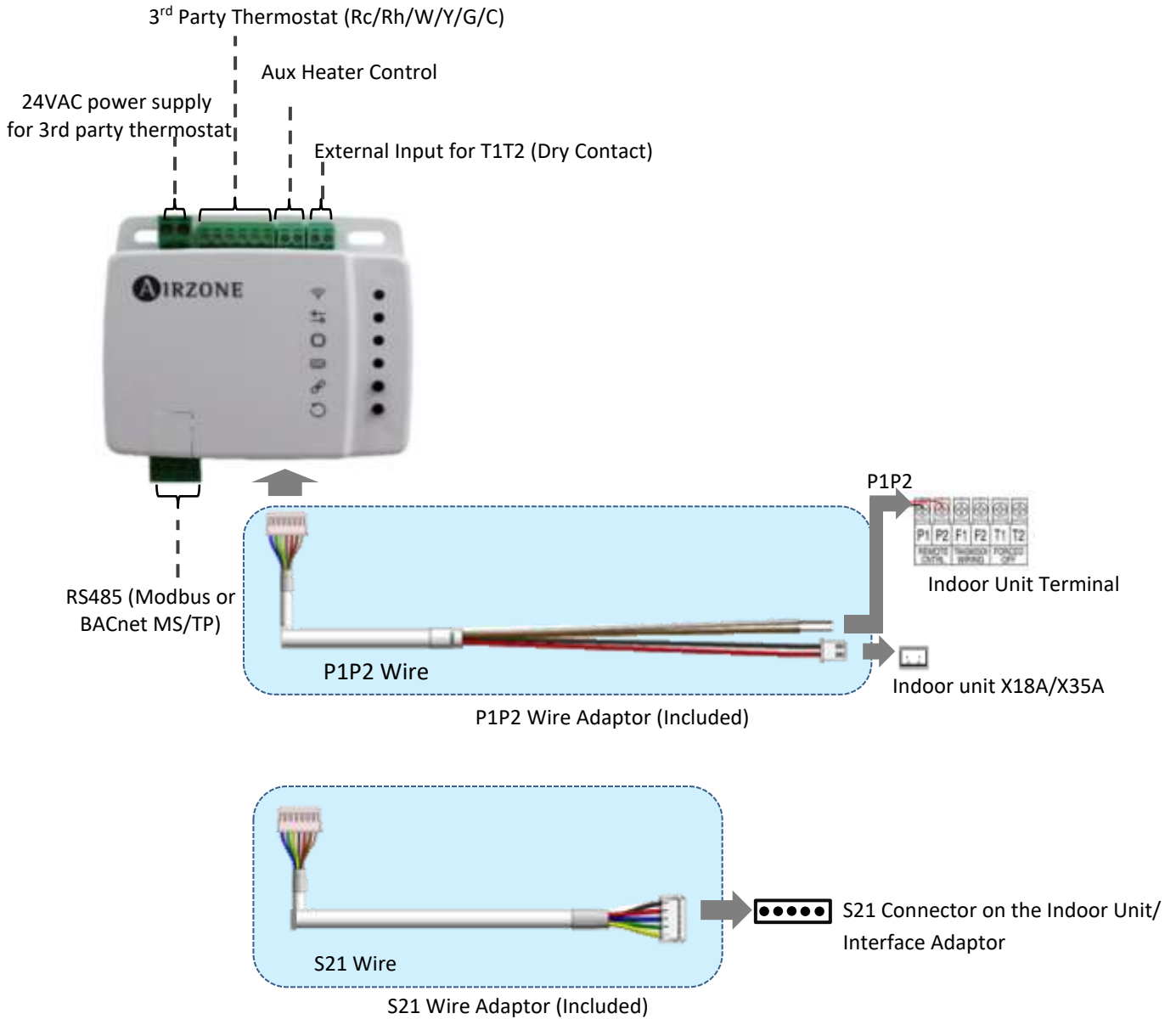


Project Name: _____
 Location: _____
 Engineer: _____
 Submitted to: _____
 Submitted by: _____
 Reference: _____

Approval: _____
 Date: _____
 Construction: _____
 Unit #: _____
 Drawing #: _____

WIRING DIAGRAM:

- Connects to P1P2 indoor unit



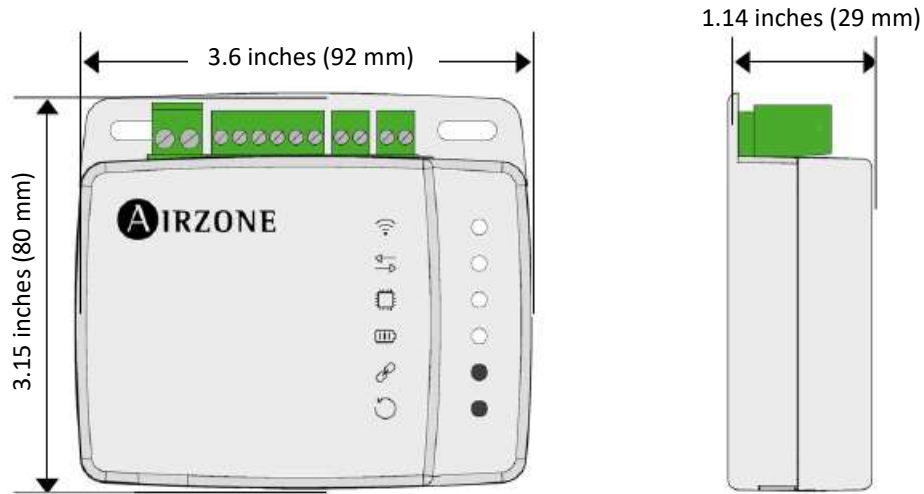
Daikin North America LLC, 5151 San Felipe, Suite 500, Houston TX, 77056

www.daikinac.com www.daikincity.com

(Daikin's products are subject to continuous improvements. Daikin reserves the right to modify product design, specifications and information in this data sheet without notice and without incurring any obligations)

Project Name: _____	Approval: _____
Location: _____	Date: _____
Engineer: _____	Construction: _____
Submitted to: _____	Unit #: _____
Submitted by: _____	Drawing #: _____
Reference: _____	

DIMENSIONS:



DOCUMENTATION:

Documentation available on www.daikincity.com and/or www.daikinac.com:

- Submittal
- Installation Manual
- Product Flyer
- Written Guide Specs